

222 & 223 Series

Cassegrain Antennas



Features

- Low VWSR
- Aluminum or Fiberglass Construction
- Low Loss Performance at Millimeter Wave Frequencies

Description 222 Series Cassegrain Antennas

Mi-Wave's 222 series cassegrain antenna consists of a parabolic reflector, a primary feed, subreflector, and a feed support assembly of four low profile aluminum spars that are attached to the rim of the reflector to position the feed.

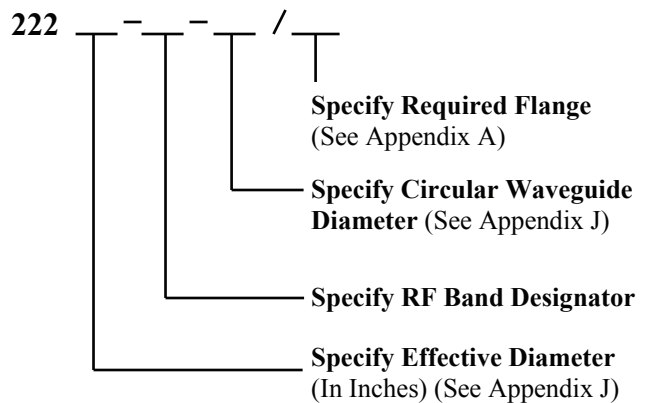
The 222 series antennas feature a precision aluminum main reflector which provides excellent performance at millimeter wave frequencies between 18 to 140 GHz.

The 223 series antennas feature metallized fiberglass reflectors and are available from 12.4 to 140 GHz. They offer very high performance in a lightweight antenna structure. These antennas are available in effective diameters of 10 to 120 inches. Because of the low surface tolerance (typically 0.0025 inch RMS) they provide excellent high frequency radiation characteristics.

Applications

- Radars
- Satellite Tracking
- Communication Systems

Ordering Information



The center frequency should be specified when ordering these antennas.

Mi-Wave

Millimeter Wave Products Inc.

www.miwv.com

2200 Tall Pines Drive, Suite 100

Largo, FL 33771

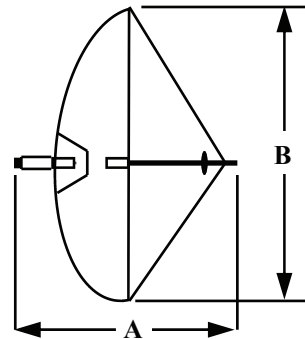
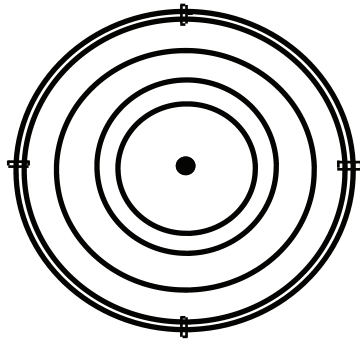
Tel. (727) 536-0033 Fax. (727) 536-0012

E: sales@miwv.com

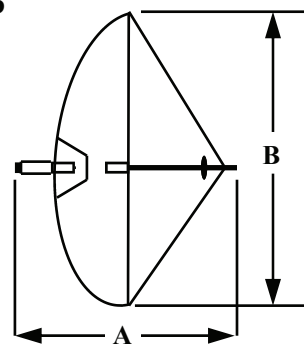
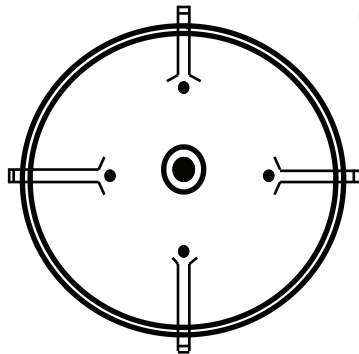
222 & 223 Series

Cassegrain Antennas

Series 222-18



Series 223-36



Dimensional Specifications

Model No.	Effective Diameter (Inches)	A		B	
		in	mm	in	mm
822	12	14	376	12	257
822	18	16	564	18	338
822	24	20	716	28	394
822	36	_____	_____	_____	_____
822	48	_____	_____	_____	_____
823	12	_____	_____	_____	_____
823	18	13.3	338	22.2	564
823	24	15.5	394	28.2	706
823	36	20.9	531	39.1	993
823	48	23.0	594	54.0	1372

Mi-Wave

Millimeter Wave Products, Inc.

www.miww.com

Tel. (727) 536-0033 Fax. (727) 536-0012

E: sales@miww.com