

263 Series

Wide Angle Scalar Feed Horns



Features

- Low VSWR
- Wide Beamwidths
- Polarization Insensitive
- Partial Waveguide Bandwidths

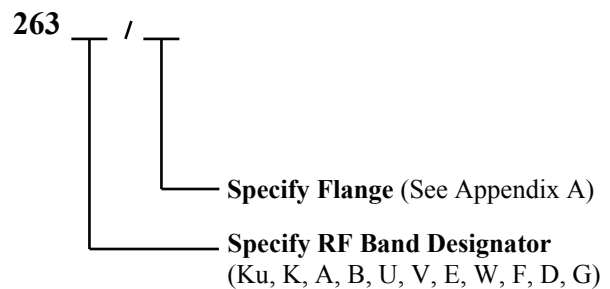
Description 263 Series Scalar Feed Horns

Mi-Wave's 263 series wide angle scalar feed horn or also called a choke horn, has been designed to be used in applications where wide beamwidth (55 Deg.) is required such as low F/D ratios of .5 and .4 in parabolic reflectors and offset feed applications.

Applications

Low F/D Antennas
Surveillance Systems
Offset Feed Antennas

Ordering Information



For Example: Model number 263W/387 is a wide beam scalar feed horn operating in W-Band with a UG-387 flange.

Mi-Wave

Millimeter Wave Products Inc.

www.miwv.com

2200 Tall Pines Drive, Suite 100

Largo, FL 33771

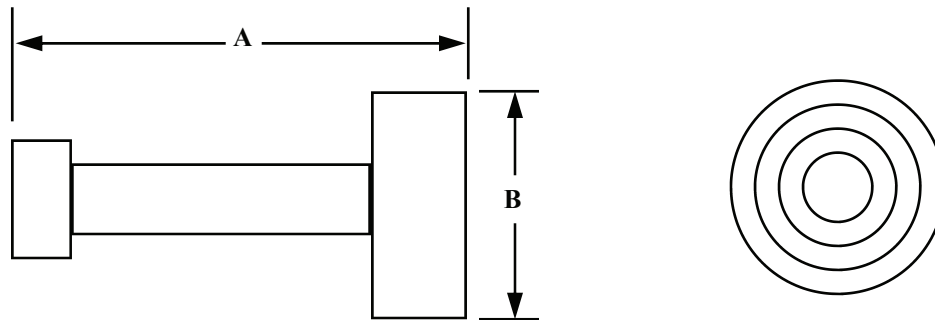
Tel. (727) 536-0033 Fax. (727) 536-0012

E: sales@miwv.com

263 Series Wide Angle Scalar Feed Horns

Typical Electrical Specifications

Beamwidth (3dB)	E-Plane 55 Deg. H-Plane 56 Deg.
Sidelobes	E-Plane -25dB H-Plane -25dB
Bandwidth	50 %



Please Note: 263 series Feed Horns are normally supplied with a standard rectangular waveguide, circular is also available.

Dimensional Specifications

Model No.	Frequency Band (GHz)		EIA-WG Designation	A		B	
				in	mm	in	mm
263	12.4	18.0	WR62	1.8	45.7	2.72	69.1
263	18.0	26.5	WR42	1.5	38.1	1.86	47.2
263	26.5	40.0	WR28	1.5	38.1	1.17	29.7
263	33.0	50.0	WR22	1.2	30.5	1.00	25.4
263	40.0	60.0	WR19	1.0	25.4	0.83	21.1
263	50.0	75.0	WR15	.08	20.3	0.66	16.8
263	60.0	90.0	WR12	0.80	20.3	0.55	14.0
263	75.0	110.0	WR10	0.60	15.2	0.45	11.4
263	90.0	140.0	WR8	0.60	15.2	0.36	9.10

Mi-Wave

Millimeter Wave Products, Inc.

www.miwv.com

Tel. (727) 536-0033 Fax. (727) 536-0012

E: sales@miwv.com