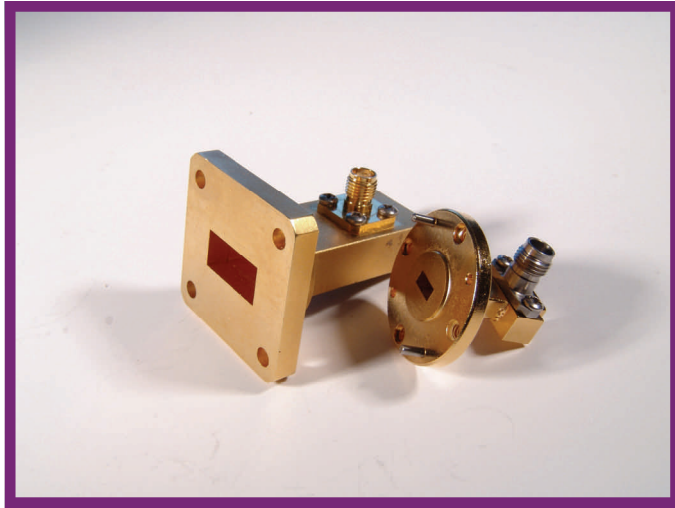


410 Series

Waveguide to Coax Transitions



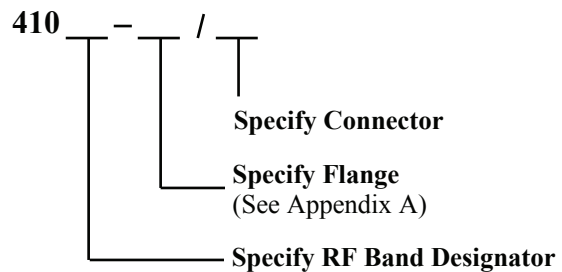
Features

- Low Cost Versions Available
- Frequency Ranges 12.4 to 75 GHz
- Wide Variety of Coax Connectors Available
- High Performance Versions for Laboratory Use

Description 410 Series Coax Transitions

Mi-Wave's 410 series waveguide to coax transitions allow an efficient method of adapting from rectangular waveguide to a coaxial connector. Full waveguide bands available from 12.4 to 75 GHz. Low insertion losses and VSWR's are typical for these adapters. Low cost production versions available for equipment use and OEM's. Laboratory grades are also offered on some models.

Ordering Information



Applications

Test Equipment
Power Measurement
Broadband Systems

Mi-Wave

Millimeter Wave Products Inc.

www.miwv.com

2200 Tall Pines Drive, Suite 100

Largo, FL 33771

Tel. (727) 536-0033 Fax. (727) 536-0012

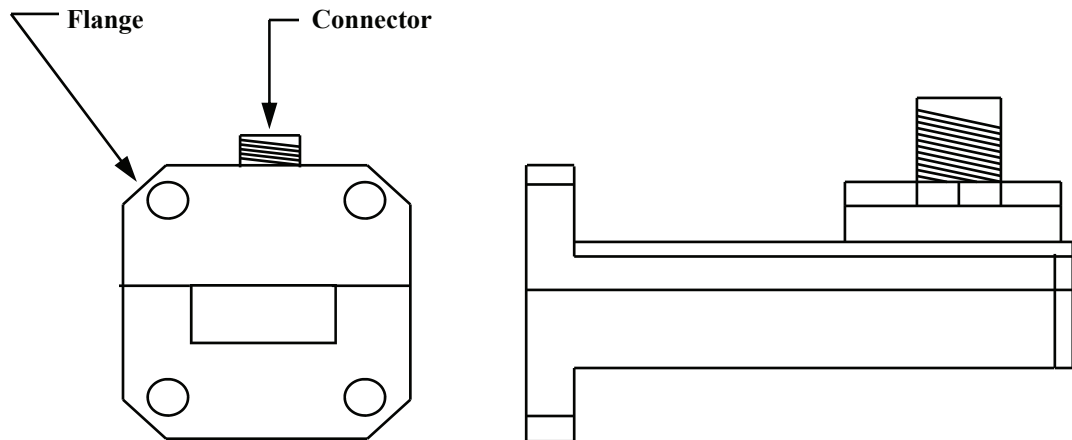
E: sales@miwv.com

410 Series Waveguide to Coax Transitions

Technical Specifications

Model Number	Frequency Band (GHz)	Waveguide	Flange	Standard Connection Available	Insertion (Loss) (dB)	VWSR
410KU	12.4 - 18.0	WR-62	UG-419/U	N, SMA	0.30	1.20:1
410K	18.0 - 26.5	WR-42	UG-595/U	K, 2.4 mm	0.30	1.20:1
410(WR-34)	22.0 - 33.0	WR-34	UG-595/UM	K, 2.4 mm	0.35	1.25:1
410A	26.5 - 40.0	WR-28	UG-599/U	K, 2.4 mm	0.40	1.30:1
410B	33.0 - 50.0	WR-22	UG-599/UM	K, 2.4 mm	0.60	1.40:1
410U	40.0 - 60.0	WR-19	UG-383/UM	2.4 mm	0.80	1.50:1
410V	50.0-75.0	WR-15	UG-385/U	2.4mm,V	1.2	1.65:1

Please Note: Lower frequency versions are available from 6.0 GHz and up.



Please consult **Mi-Wave** for outline drawings for desired

Mi-Wave

Millimeter Wave Products, Inc.

www.miww.com

Tel. (727) 536-0033 Fax. (727) 536-0012

E: sales@miww.com