

# 560 Series Broadband Directional Couplers



## Features

- Broadband
- Low VSWR
- E-plane design
- High Directivity
- Rugged Construction
- High Coupling Accuracy
- Calibrated Coupling Values
- Minimum Coupling Variation with Frequency

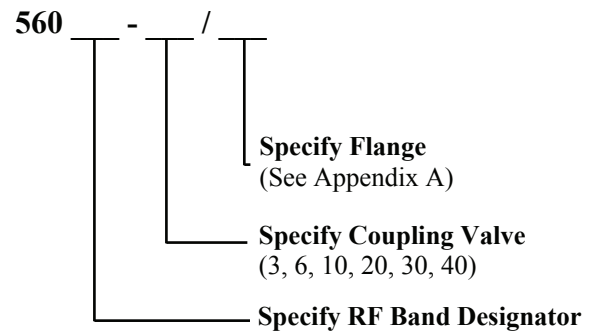
## Description 560 Series Couplers

**Mi-Wave's** 560 series broadband directional couplers are broadwall E-plane multi-hole energy-coupling devices. The 560 series couplers are designed in 8 waveguide sizes from 12.4 to 110 GHz. Nominal couplings of 3 dB, 6 dB, 10 dB, 20 dB, 30 dB, and 40 dB are offered to complement specific test set requirements.

## Applications

The 560 series directional couplers provide an efficient and convenient means for sampling a finite quantity of power flowing in a transmission line or for injecting a desired signal into the line.

## Ordering Information



## **Mi-Wave**

Millimeter Wave Products Inc.

[www.miwv.com](http://www.miwv.com)

2200 Tall Pines Drive, Suite 100

Largo, FL 33771

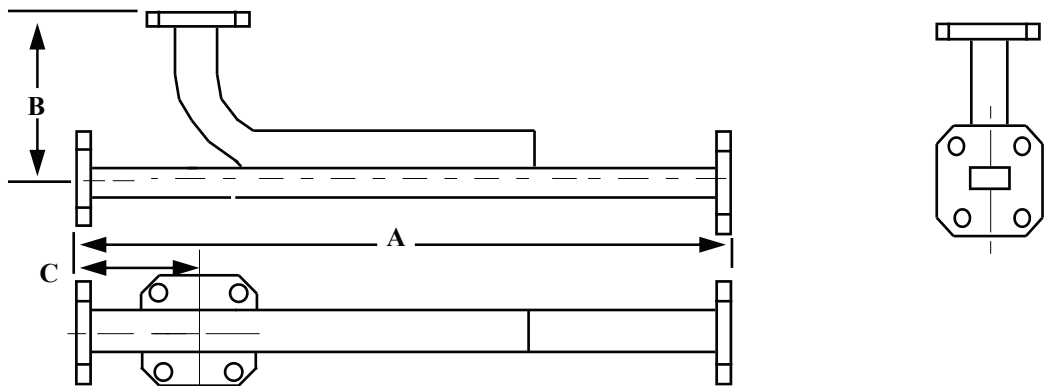
Tel. (727) 536-0033 Fax. (727) 536-0012

E: [sales@miwv.com](mailto:sales@miwv.com)

# 560 Series Broadband Directional Couplers

## Technical Specifications

Model Number	560K	560A	560B	560U	560V	560E	560W
Frequency Band (GHz)	18.0-26.5	26.5-40.0	33.0-50.0	40.0-60.0	50.0-75.0	60.0-90.0	75.0-110.0
Coupling (dB)	3, 6, 10, 20, 30, 40						
Coupling Variation (dB)	± 0.6	± 0.6	± 0.6	± 0.8	± 1.0	± 1.0	± 1.0
Coupling Accuracy (dB)	± 1.0	± 1.0	± 1.0	± 1.2	± 1.5	± 1.5	± 1.5
Directivity (dB) Typical	40	40	40	40	40	40	40
Main Line VSWR	1.05	1.05	1.05	1.10	1.10	1.10	1.10
Auxiliary Line VSWR	1.12	1.12	1.12	1.15	1.15	1.15	1.17



## Dimensional Specifications

Model Number	A		B		C	
	in	mm	in	mm	in	mm
560K/10, 20, 30, 40	11.50	292.0	2.00	50.8	1.50	38.1
560K/3, 6 dB	12.75	323.9	2.00	50.8	1.50	38.1
560A/10, 20, 30, 40	9.62	244.0	1.75	44.5	1.38	35.1
560A/3, 6 dB	12.0	304.8	1.75	44.5	1.38	35.1
560B/10, 20, 30, 40	8.40	213.0	1.64	41.7	1.30	33.0
560B/3, 6 dB	10.25	259.1	1.64	41.7	1.30	33.0
560U/10, 20, 30, 40	7.38	187.4	1.38	35.1	1.12	28.5
560U/3, 6 dB	9.12	231.6	1.38	35.1	1.12	28.5
560V/10, 20, 30, 40	6.25	159.0	1.13	28.6	0.88	22.4
560V/3, 6 dB	7.25	184.1	1.13	28.7	0.88	22.4
560E/10, 20, 30, 40	5.50	140.0	1.13	28.5	0.88	22.4
560E/3, 6 dB	6.62	168.1	1.13	28.7	0.88	22.4
560W/10, 20, 30, 40	4.50	114.0	1.00	25.4	0.81	20.6
560W/3, 6 dB	5.50	139.7	1.00	25.4	0.81	20.6

**Mi-Wave**

Millimeter Wave Products, Inc.

www.miww.com

Tel. (727) 536-0033 Fax. (727) 536-0012

E: sales@miww.com