

# 660, 661, 662, & 665 Series E-Plane Bends



## Features

- Available from 12.4 to 220 GHz
- Additional Radius and Angle Bends by Special Order
- Smooth Precision Bends Minimize Energy Reflections

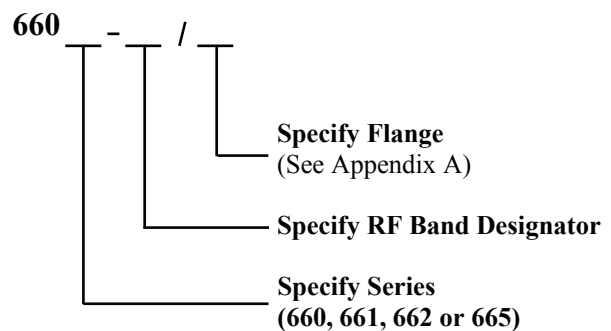
## Description 660, 661, 662 & 665 Series Bends

**Mi-Wave's** 660, 661, 662 and 665 series E-plane bends are sections of high-precision waveguide accurately shaped to either 30° (661), 45° (665), 60° (662), or 90° (660) bends. Special angles, radii, and configurations for particular application can be developed on special order. All E-plane series bends are available from 12.4 to 320 GHz.

## Applications

The E-plane bends series provide accurate offsets and directional changes in waveguide transmission lines for test and developmental applications. Manufactured to rigid specifications, these transmission line components provide minimum detrimental effects on the overall system VSWR.

## Ordering Information



## **Mi-Wave**

Millimeter Wave Products Inc.

[www.miwv.com](http://www.miwv.com)

2200 Tall Pines Drive, Suite 100

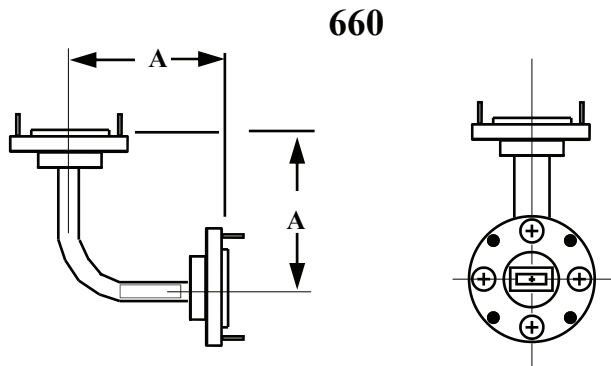
Largo, FL 33771

Tel. (727) 536-0033 Fax. (727) 536-0012

E: [sales@miwv.com](mailto:sales@miwv.com)

# 660, 661, 662, & 665 Series

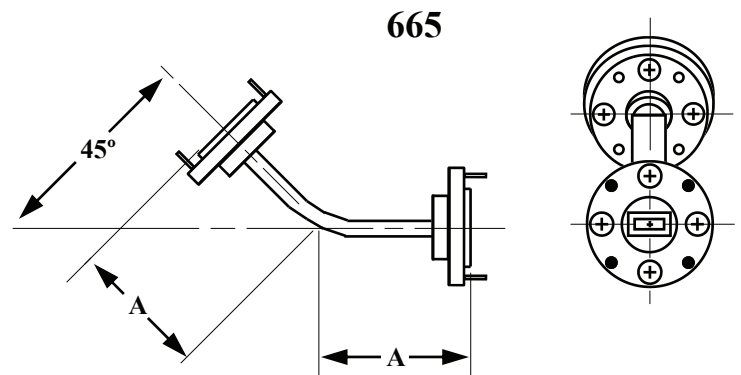
# E-Plane Bends



660	90°
661	30°
662	60°
665	45°

## Dimensional Specifications

Model Number	A in	A mm	Weight (oz)
660Ku, 661Ku, 662Ku	2.00	50.0	2.7
660K, 661K, 662K	1.50	38.1	2.7
660A, 661A, 662A	1.50	38.1	2.5
660B, 661B, 662B	1.50	38.1	2.3
660U, 661U, 662U	1.50	38.1	2.2
660V, 661V, 662V	1.00	25.4	1.7
660E, 661E, 662E	1.00	25.4	1.6
660W, 661W, 662W	1.00	25.4	1.5
660F, 661F, 662F	1.00	25.4	1.1
660D, 661D, 662D	1.00	25.4	0.8
660G, 661G, 662G	1.00	25.4	0.8
665Ku	2.00	50.0	2.4
665K	1.50	38.1	2.4
665A	1.50	38.1	2.5
665B	1.50	38.1	2.3
665U	1.50	38.1	2.2
665V	1.00	25.4	1.7
665E	1.00	25.4	1.6
665W	1.00	25.4	1.5
665F	1.00	25.4	1.0
665D	1.00	25.4	0.8
665G	1.00	25.4	0.8



## Technical Specifications

Model Number	Frequency Band (GHz)	VSWR
660Ku, 661Ku, 662Ku, 665Ku, 665Ku	12.4 - 18.0	1.10
660K, 661K, 662K, 665K	18.0 - 26.5	1.10
660A, 661A, 662A, 665A	26.5 - 40.0	1.10
660B, 661B, 662B, 665B	33.0 - 50.0	1.10
660U, 661U, 662U, 665U	40.0 - 60.0	1.12
660V, 661V, 662V, 665V	50.0 - 75.0	1.12
660E, 661E, 662E, 665E	60.0 - 90.0	1.12
660W, 661W, 662W, 665W	75.0 - 110.0	1.15
660F, 661F, 662F, 665F	90.0 - 140.0	1.15
660D, 661D, 662D, 665D	110.0 - 170.0	1.15
660G, 661G, 662G, 665G	140.0 - 220.0	1.15

**Mi-Wave**

Millimeter Wave Products, Inc.

www.miwave.com

Tel. (727) 536-0033 Fax. (727) 536-0012

E: sales@miwave.com