

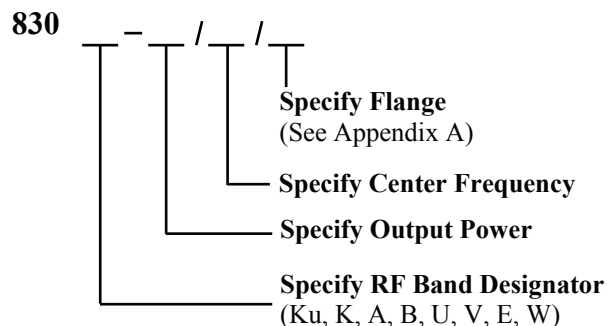
830 Series Mechanically Tuned Gunn Oscillators



Features

- Low Noise
- High Stability
- 12.4 to 110 GHz
- Broadband Tuning
- Excellent Reliability

Ordering Information



Description

830 Oscillators

Mi-Wave 830 series mechanically tuned gunn oscillators have been designed to be used where a low noise stable frequency source is required. This source can be used for a mixer local oscillator or transmit source.

The 830 series is a moderate stability gunn oscillator typically ± 750 KHz / ° C with power outputs up to 300 milliwatts. Higher power options and stabilities are available upon request. Please consult **Mi-Wave** for further information.

Technical Specifications

Model Number	Frequency Band (GHz)	Power Output (up to) mw	Frequency Stability MHz/C°	Mech. Tuning Range MHz Min.
830Ku	12.4 - 18.0	300	.300	250
830K	18.0 - 26.5	275	.500	250
830A	26.5 - 40.0	250	.750	250
830B	33.0 - 50.0	250	.800	300
830U	40.0 - 60.0	200	1.00	350
830V	50.0 - 75.0	150	2.00	500
830E	60.0 - 90.0	100	2.50	500
830W	75.0 - 110.0	50	3.00	500

Applications

Radar
Radiometers
Local Oscillators
Telecommunications

Mi-Wave

Millimeter Wave Products Inc.

www.miwv.com

2200 Tall Pines Drive, Suite 100

Largo, FL 33771

Tel. (727) 536-0033 Fax. (727) 536-0012

E: sales@miwv.com