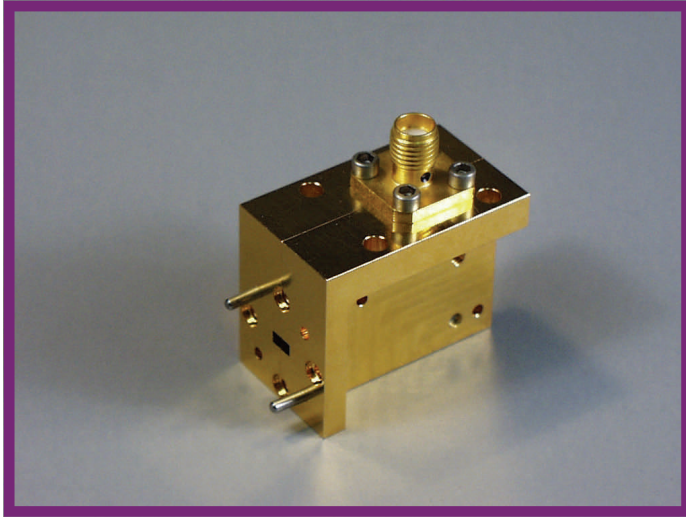


920 Series

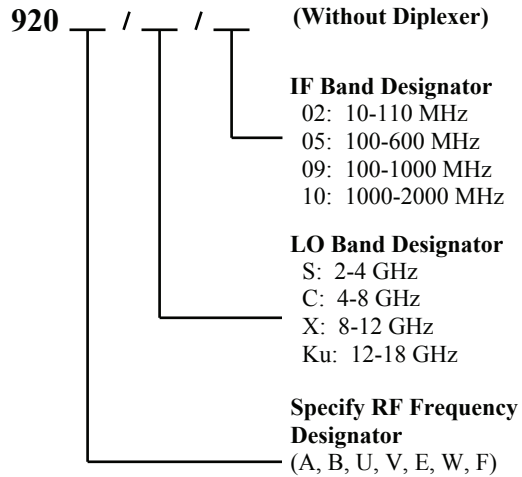
Harmonic Mixers



Features

- Full Waveguide Band Coverage
- Extends the Useful Frequency Range of Spectrum Analyzers

Ordering Information



Description 920 Series Harmonic Mixers

Mi-Waves' 920 series harmonic mixers are used to downconvert millimeter wave signals using a Schottky barrier mixer diode. Measurements can be made by mixing the harmonic of the LO with the desired RF signal and observing the resulting IF.

The 920 series is designed for applications where a Diplexer is not required.

Optional IF amplifiers are available. Please consult *Mi-Wave* for further information.

Operating Specifications

RF Input Power.....	+15 dBm, Max.
LO Input Power.....	+18 dBm, Max.
Storage Temperature.....	-55° C to +125° C
Operating Temperature.....	0° C to +60° C
Bias Requirements:	
Diode.....	-0.7 Vdc @ 5 mA



Millimeter Wave Products Inc.

www.miww.com

2200 Tall Pines Drive, Suite 100

Largo, FL 33771

Tel. (727) 536-0033 Fax. (727) 536-0012

E: sales@miww.com

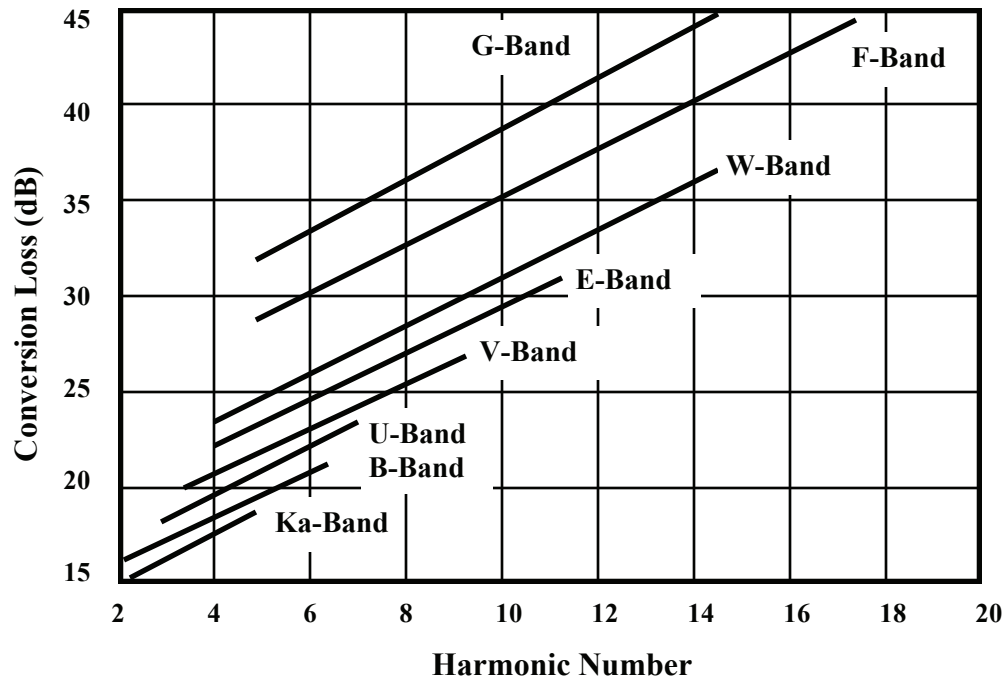
920 Series

Harmonic Mixers

Technical Specifications

Standard Mixer	Frequency Band (GHz)	Waveguide	Flange	LO Band	SSB Conversion Loss (dB)
920K	26.5 - 40.0	WR - 28	UG - 599	↑	18
920A	33.0 - 50.0	WR - 22	UG - 383		20
920B	40.0 - 60.0	WR - 19	UG - 383M		22
920U	50.0 - 75.0	WR - 15	UG - 385	8.0 - 12.0 GHz	24
920V	60.0 - 90.0	WR - 12	UG - 387	↓	27
920E	75.0 - 110.0	WR - 10	UG - 387M		30
920W	90.0 - 140.0	WR - 8	UG - 387M		40

Nominal Conversion Loss vs. Harmonic Number and RF Band



Mi-Wave

Millimeter Wave Products, Inc.

www.miwv.com

Tel. (727) 536-0033 Fax. (727) 536-0012

E: sales@miwv.com