

# 970 Series

# Wide-Band Balanced Mixers



## Description

## 970 Series Mixers

**Mi-Wave's** 970 series balanced mixers have been designed to cover extremely wide RF bandwidths for EW/ELINT applications. These units offer excellent SSB conversion loss figures and are available up to 110 GHz. GaAs beam-lead diodes are used with a broadband circuit to provide excellent IF response. The 970 series mixers are available with low noise IF amplifiers that use premium GaAs FETs to ensure low noise figures.

## Technical Specifications

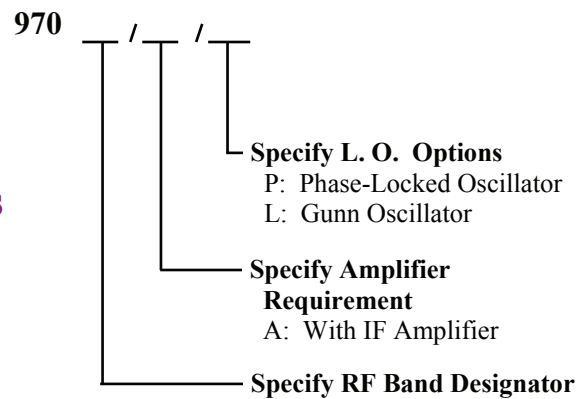
Model Number	Conversion Loss	
	Max. <sup>1</sup>	Typ. <sup>1</sup>
970K	7.0	6.5
970A	8.0	7.5
970B	8.5	8.0
970U	9.0	8.5
970V	9.5	9.0
970E	9.5	9.0
970W	10.0	9.5

1. Conversion loss SSB (dB) assumes +12 dBm L. O. and 8 GHz IF. Please note that noise figure and conversion loss both increase with increasing IF.

## Features

- Very Wide RF Bandwidth
- Available With or Without IF Amplifiers

## Ordering Information



Please be sure to specify center frequency and IF output frequency.

## Operating Specifications

Bandwidth.....	18 GHz
LO Drive.....	+12 dBm Typ.
LO/RF Isolation.....	20 dB, Typ.
VSWR-RF.....	2:5:1 Typ.
CW RF Burnout Level.....	+20 dBm Max.
Pulsed RF Burnout Level.....	+23 dBm Max.
	200 ns
	40 KHz PRF
Operating Temperature.....	-40° C to +70° C

# Mi-Wave

Millimeter Wave Products Inc.

[www.miww.com](http://www.miww.com)

2200 Tall Pines Drive, Suite 100

Largo, FL 33771

Tel. (727) 536-0033 Fax. (727) 536-0012

E: [sales@miww.com](mailto:sales@miww.com)

## Technical Specifications

Model Number	Conversion Loss	
	Max. <sup>1</sup>	Typ. <sup>1</sup>
970K	7.0	6.5
970A	8.0	7.5
970B	8.5	8.0
970U	9.0	8.5
970V	9.5	9.0
970E	9.5	9.0
970W	10.0	9.5

1. Conversion loss SSB (dB) assumes +12 dBm L. O. and 8 GHz IF. Please note that noise figure and conversion loss both increase with increasing IF.

## Operating Specifications

Bandwidth.....	18 GHz
LO Drive.....	+12 dBm Typ.
LO/RF Isolation.....	20 dB, Typ.
VSWR-RF.....	2:5:1 Typ.
CW RF Burnout Level.....	+20 dBm Max.
Pulsed RF Burnout Level.....	+23 dBm Max.
	200 ns
	40 KHz PRF
Operating Temperature.....	-40° C to +70° C

## ***Mi-Wave***

Millimeter Wave Products Inc.

**www.miwv.com**

2200 Tall Pines Drive, Suite 100

Largo, FL 33771

Tel. (727) 536-0033 Fax. (727) 536-0012

E: sales@miwv.com