

TSS-Japan

テイエスエス ジャパン

本社:〒194-0045 東京都町田市南成瀬1-8-12

PHONE 042-851-3901 FAX 050-3488-4265

Email :info@tssj.jp

HOME PAGE <http://www.tssj.co.jp>

166

小型アンテナ

機器搭載用途 各種アンテナ類 約80種類



■ 製品 種類

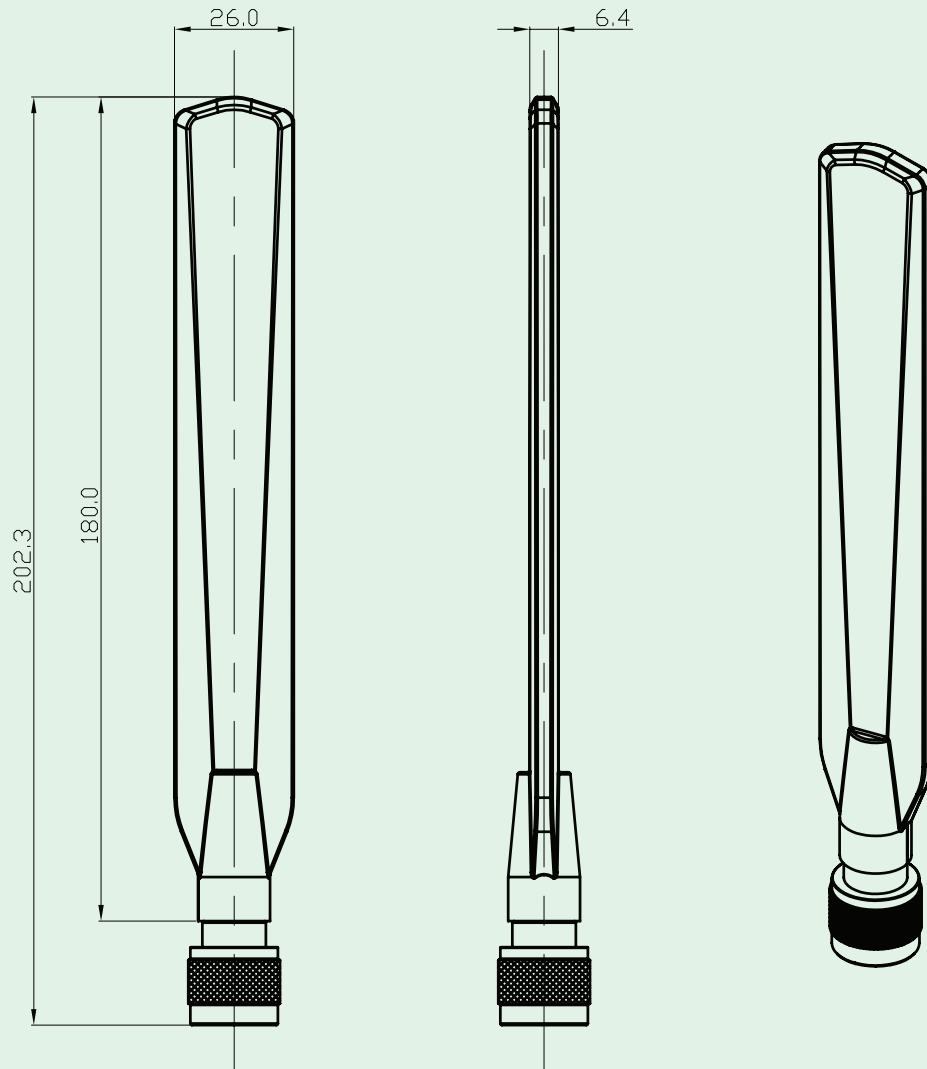
- 1.防水タイプアンテナ
- 2.WiMAX
- 3.ISM Band/2.4GHz、5.8GHz、2.4&5.8GHz DUAL BAND
- 4.MIMO
- 5.GSM
- 6.GPS
- 7.Ultra Wide Band
- 8.Tri Band

Kinsun社製 ケーブルアセンブリー製品も準備しております。
別途、カタログを請求ください。



2.4GHz High Gain Waterproof Antenna With Type N Connector

KINSUN



ELECTRICAL :

- Frequency Range : 2.4GHz
- Impedance : 50Ω
- V.S.W.R. : ≤ 2.0
- Gain : 5.0dBi
- Radiation : Omni
- Electrical Wave : $1/4\lambda$, array
- Polarization : Vertical

MECHANICAL :

- Antenna Cover : ABS.
- Color : Black
- Operating Temperature : $-20^{\circ}\text{C} \sim +65^{\circ}\text{C}$
- Storage Temperature : $-30^{\circ}\text{C} \sim +75^{\circ}\text{C}$
- Connector : Type N-Male

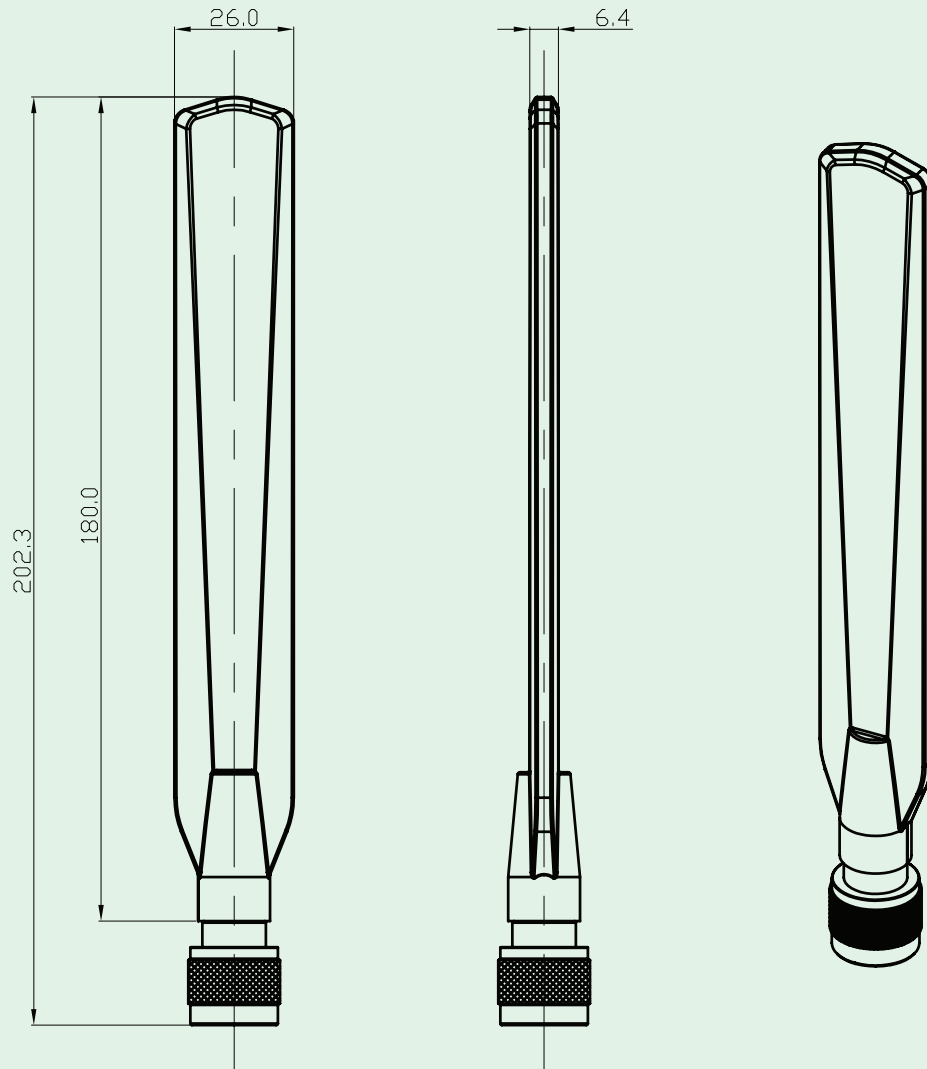
Series No.

6611 Series



5.8GHz High Gain Waterproof Antenna With Type N Connector

KINSUN



ELECTRICAL :

- Frequency Range : 5.8GHz
- Impedance : 50Ω
- V.S.W.R. : ≤ 2.0
- Gain : 6.0dBi
- Radiation : Omni
- Electrical Wave : $1/4\lambda$, array
- Polarization : Vertical

MECHANICAL :

- Antenna Cover : ABS.
- Color : Black
- Operating Temperature : $-20^{\circ}\text{C} \sim +65^{\circ}\text{C}$
- Storage Temperature : $-30^{\circ}\text{C} \sim +75^{\circ}\text{C}$
- Connector : Type N-Male

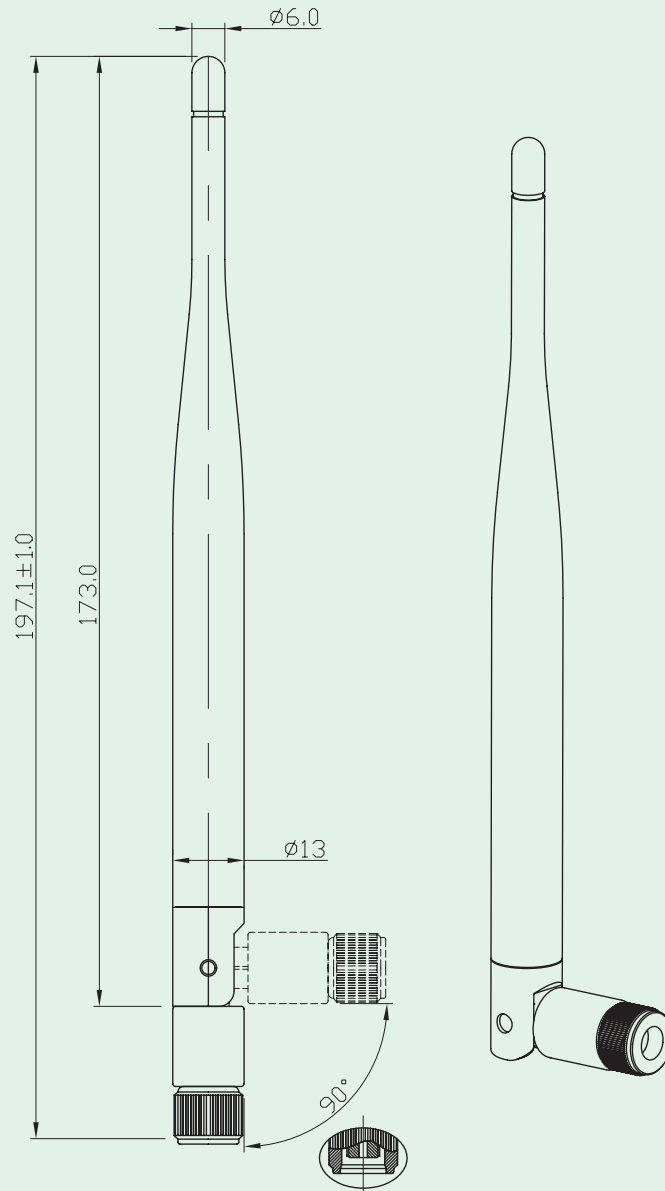
Series No.

6611 Series



WiMAX Antenna

KINSUN



Item	Different Optional Antenna Cover	Dimension Size
01	6602 Series	Ref. P.09
02	6604 Series	Ref. P.16
03	6606 Series	Ref. P.22

ELECTRICAL :

- Frequency Range : 2.3~2.4GHz
- Impedance : 50Ω
- V.S.W.R. : ≤ 2.0
- Gain : 4.0dBi
- Radiation : Omni
- Electrical Wave : $1/2\lambda$, Dipole
- Polarization : Vertical

MECHANICAL :

- Antenna Cover : PU
- Antenna Base : PC UL 94V-0
- Color : Black
- Operating Temperature : $-20^{\circ}\text{C} \sim +65^{\circ}\text{C}$
- Storage Temperature : $-30^{\circ}\text{C} \sim +75^{\circ}\text{C}$
- Connector : SMA Male Reverse

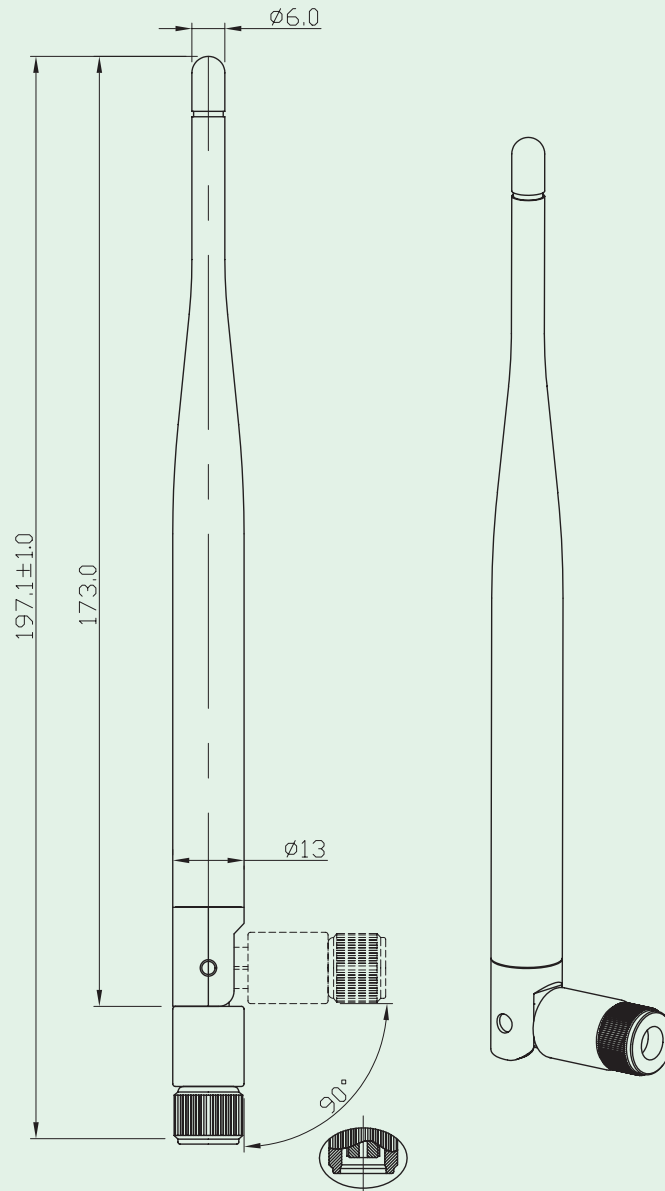
Series No.

6610 Series



WiMAX Antenna

KINSUN



Item	Different Optional Antenna Cover	Dimension Size
01	6602 Series	Ref. P.09
02	6604 Series	Ref. P.16
03	6606 Series	Ref. P.22

ELECTRICAL :

- Frequency Range : 2.5~2.7GHz
- Impedance : 50Ω
- V.S.W.R. : ≤ 2.0
- Gain :4.0dBi
- Radiation : Omni
- Electrical Wave : $1/2\lambda$, Dipole
- Polarization : Vertical

MECHANICAL :

- Antenna Cover : PU
- Antenna Base : PC UL 94V-0
- Color : Black
- Operating Temperature : -20°C ~ +65°C
- Storage Temperature : -30°C ~ +75°C
- Connector : SMA Male Reverse

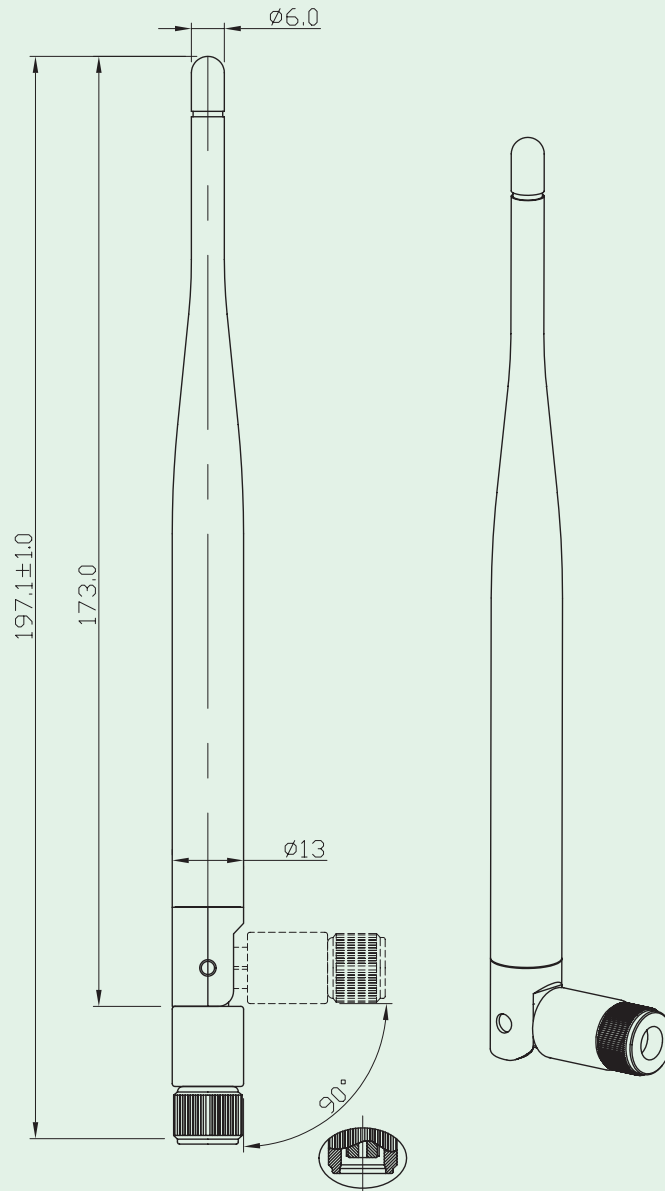
Series No.

6610 Series



WiMAX Antenna

KINSUN



Item	Different Optional Antenna Cover	Dimension Size
01	6602 Series	Ref. P.09
02	6604 Series	Ref. P.16
03	6606 Series	Ref. P.22

ELECTRICAL :

- Frequency Range : 3.3~3.8GHz
- Impedance : 50Ω
- V.S.W.R. : ≤ 2.0
- Gain : 3.0dBi
- Radiation : Omni
- Electrical Wave : $1/2\lambda$, Dipole
- Polarization : Vertical

MECHANICAL :

- Antenna Cover : PU
- Antenna Base : PC UL 94V-0
- Color : Black
- Operating Temperature : $-20^{\circ}\text{C} \sim +65^{\circ}\text{C}$
- Storage Temperature : $-30^{\circ}\text{C} \sim +75^{\circ}\text{C}$
- Connector : SMA Male Reverse

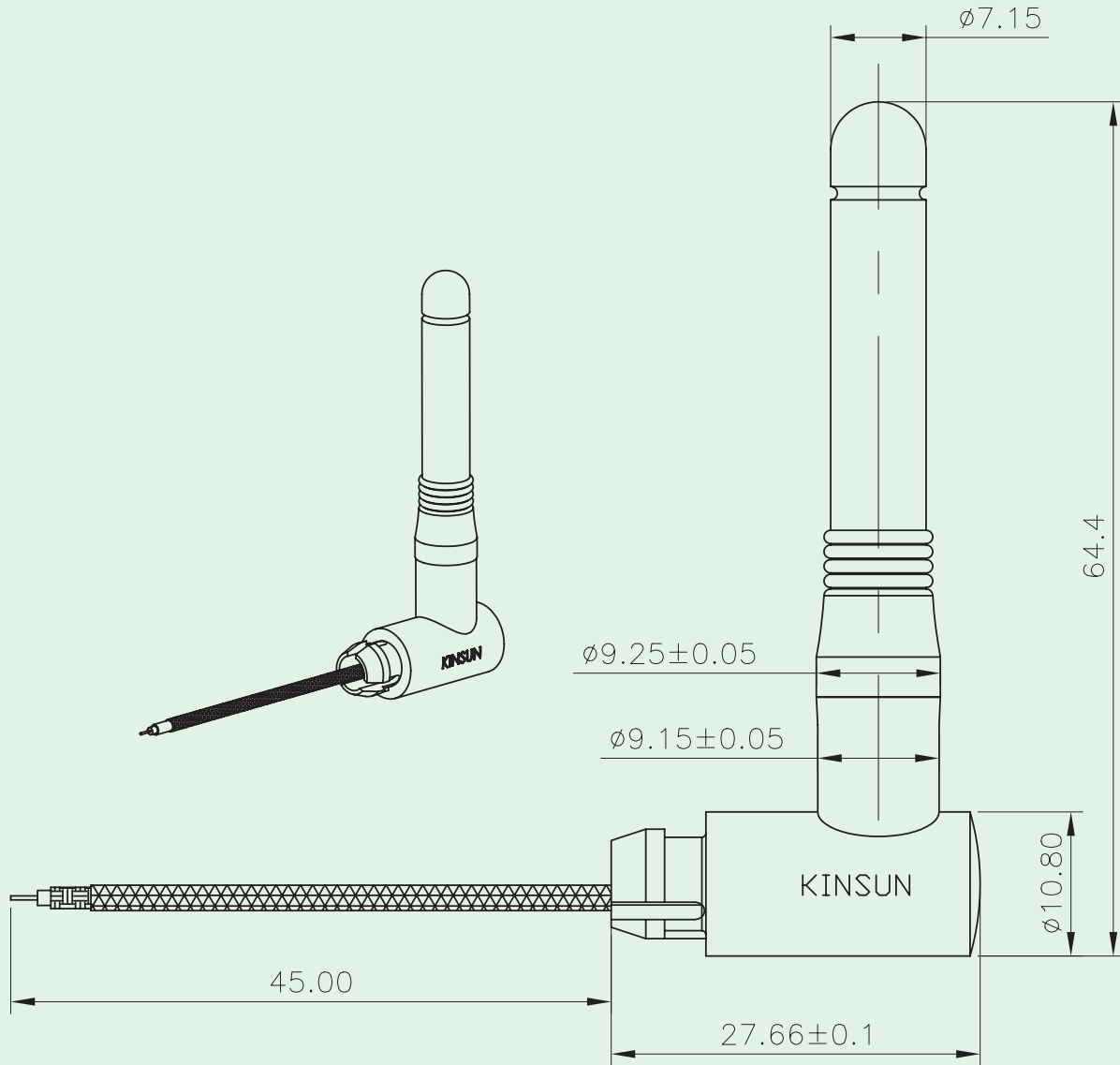
Series No.

6610 Series



2.4GHz Right Angle Shorter Antenna With Cable

KINSUN



ELECTRICAL :

- Frequency Range : 2.4~2.5GHz
- Impedance : 50Ω
- V.S.W.R. : ≤ 2.0
- Gain : 1dBi
- Radiation : Omni
- Electrical Wave : $1/4\lambda$, Dipole
- Polarization : Vertical

MECHANICAL :

- Antenna Cover : Plastic
- Antenna Base : Plastic
- Color : Black
- Operating Temperature : $-20^{\circ}\text{C} \sim +65^{\circ}\text{C}$
- Storage Temperature : $-30^{\circ}\text{C} \sim +75^{\circ}\text{C}$
- Cable : RG-178

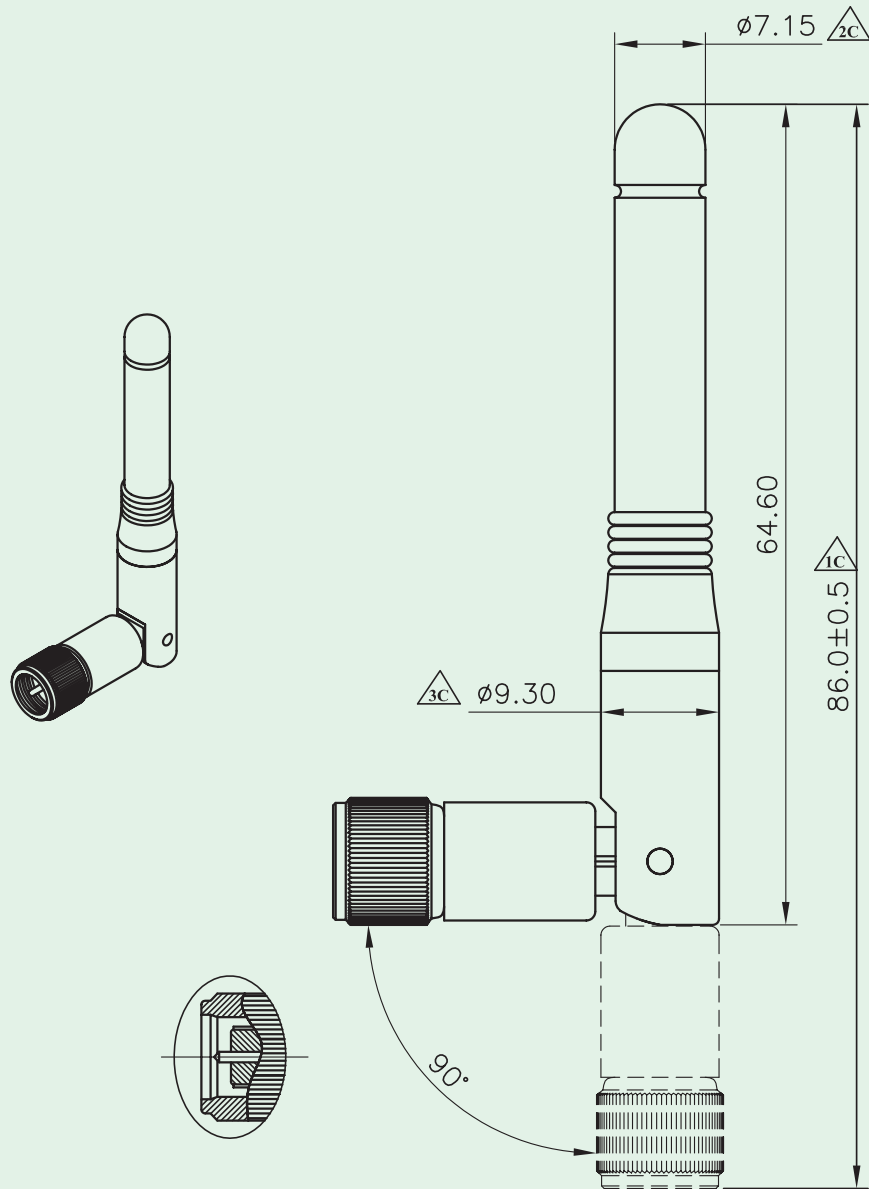
Series No.

6601100081-045



2.4GHz Swivel Shorter Antenna With SMA Connector

KINSUN



ELECTRICAL :

- Frequency Range : 2.4~2.5GHz
- Impedance : 50 Ω
- V.S.W.R. : ≤ 2.0
- Gain : 1dBi
- Radiation : Omni
- Electrical Wave : $1/4\lambda$, Dipole
- Polarization : Vertical

MECHANICAL :

- Antenna Cover : Plastic
- Antenna Base : Plastic
- Color : Black
- Operating Temperature : -20 $^{\circ}$ C ~ +65 $^{\circ}$ C
- Storage Temperature : -30 $^{\circ}$ C ~ +75 $^{\circ}$ C
- Cable : RG-178
- Connector : SMA Male

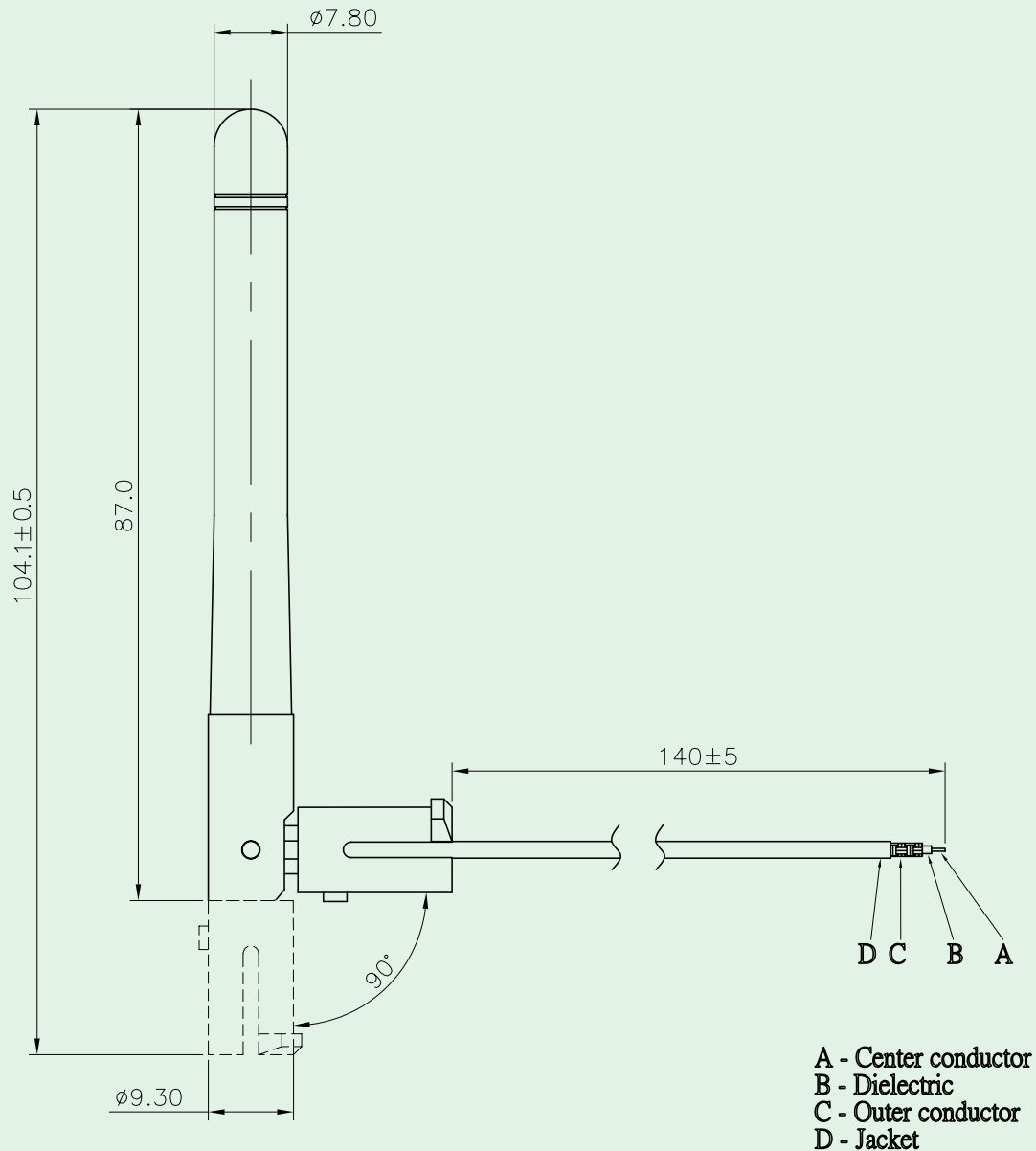
Series No.

6601101081-000



2.4GHz Swivel Antenna With Cable

KINSUN



ELECTRICAL :

- Frequency Range : 2.4~2.5GHz
- Impedance : 50Ω
- V.S.W.R. : ≤ 2.0
- Gain : 2.0dBi
- Radiation : Omni
- Electrical Wave : $1/4\lambda$, Dipole
- Polarization : Vertical

MECHANICAL :

- Antenna Cover : Plastic
- Antenna Base : Plastic
- Color : Black
- Operating Temperature : $-20^{\circ}\text{C} \sim +65^{\circ}\text{C}$
- Storage Temperature : $-30^{\circ}\text{C} \sim +75^{\circ}\text{C}$
- Cable : RG-178

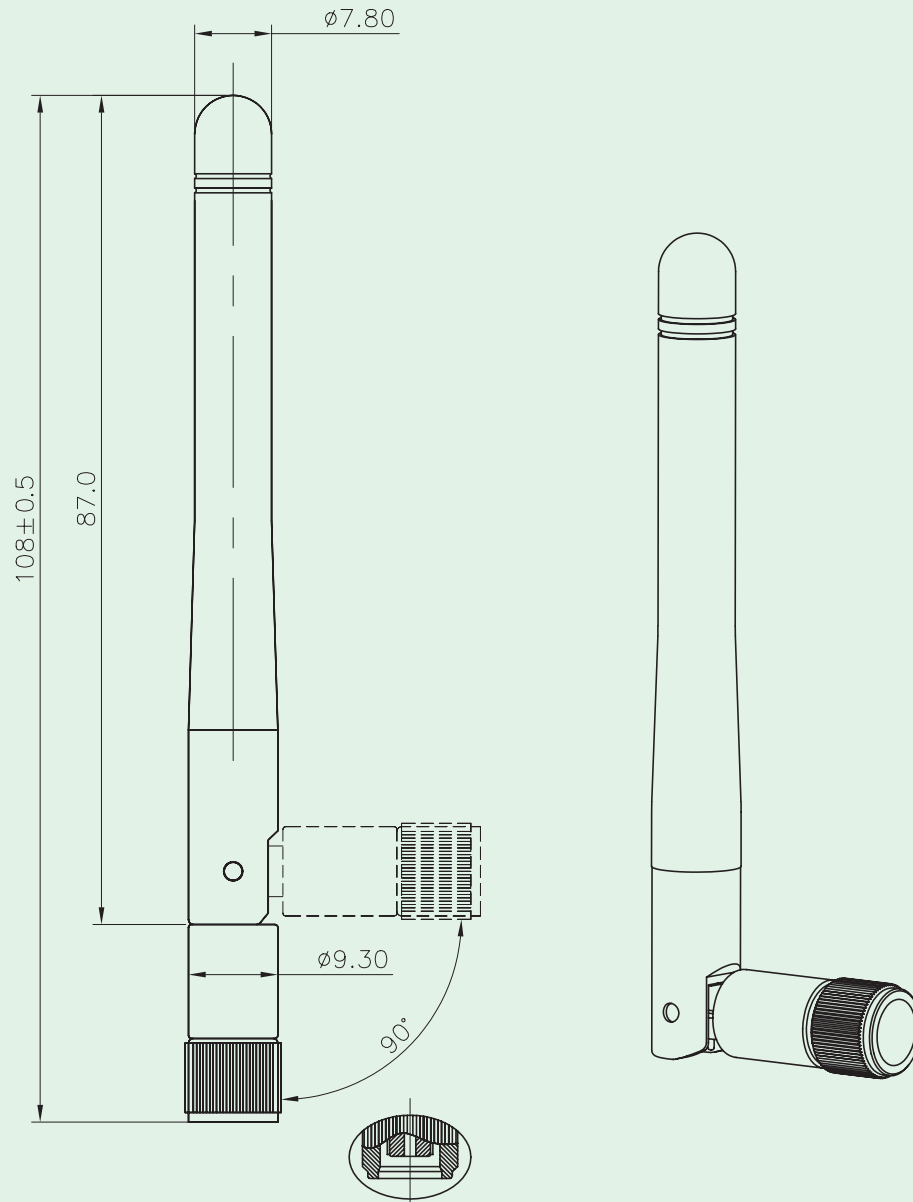
Series No.

6602100081-140



2.4GHz Swivel Antenna With SMA Connector

KINSUN



ELECTRICAL :

- Frequency Range : 2.4~2.5GHz
- Impedance : 50Ω
- V.S.W.R. : ≤ 2.0
- Gain : 2.5dBi
- Radiation : Omni
- Electrical Wave : $1/4\lambda$, Dipole
- Polarization : Vertical

MECHANICAL :

- Antenna Cover : Plastic
- Antenna Base : Plastic
- Color : Black
- Operating Temperature : $-20^{\circ}\text{C} \sim +65^{\circ}\text{C}$
- Storage Temperature : $-30^{\circ}\text{C} \sim +75^{\circ}\text{C}$
- Cable : RG-178
- Connector : SMA Male Reverse

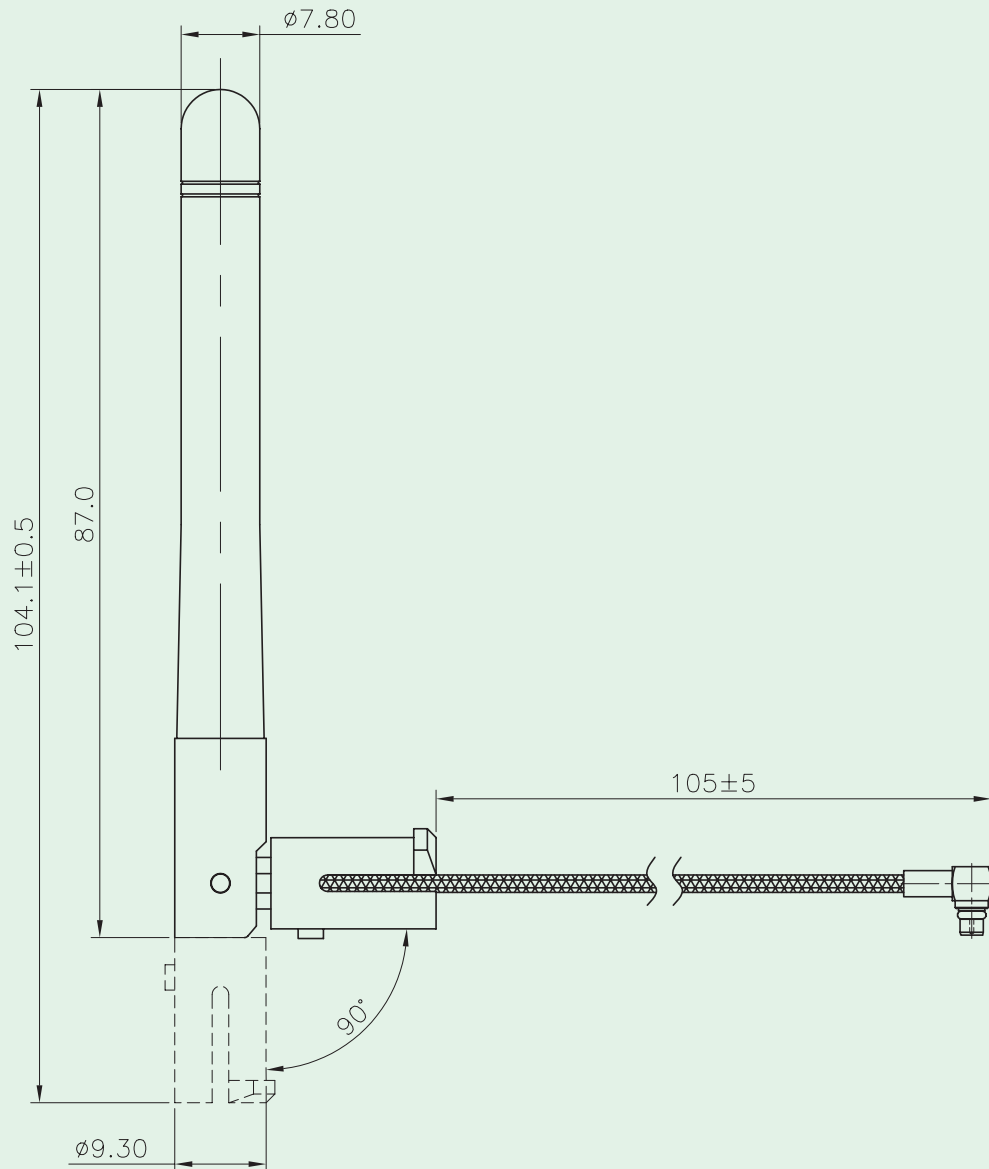
Series No.

6602803081-000



2.4GHz Swivel Antenna With Cable, MMCX Connector

KINSUN



ELECTRICAL :

- Frequency Range : 2.4~2.5GHz
- Impedance : 50Ω
- V.S.W.R. : ≤ 2.0
- Gain : 2.0dBi
- Radiation : Omni
- Electrical Wave : $1/4\lambda$, Dipole
- Polarization : Vertical

MECHANICAL :

- Antenna Cover : Plastic
- Antenna Base : Plastic
- Color : Black
- Operating Temperature : $-20^{\circ}\text{C} \sim +65^{\circ}\text{C}$
- Storage Temperature : $-30^{\circ}\text{C} \sim +75^{\circ}\text{C}$
- Cable : RG-178
- Connector : MMCX.

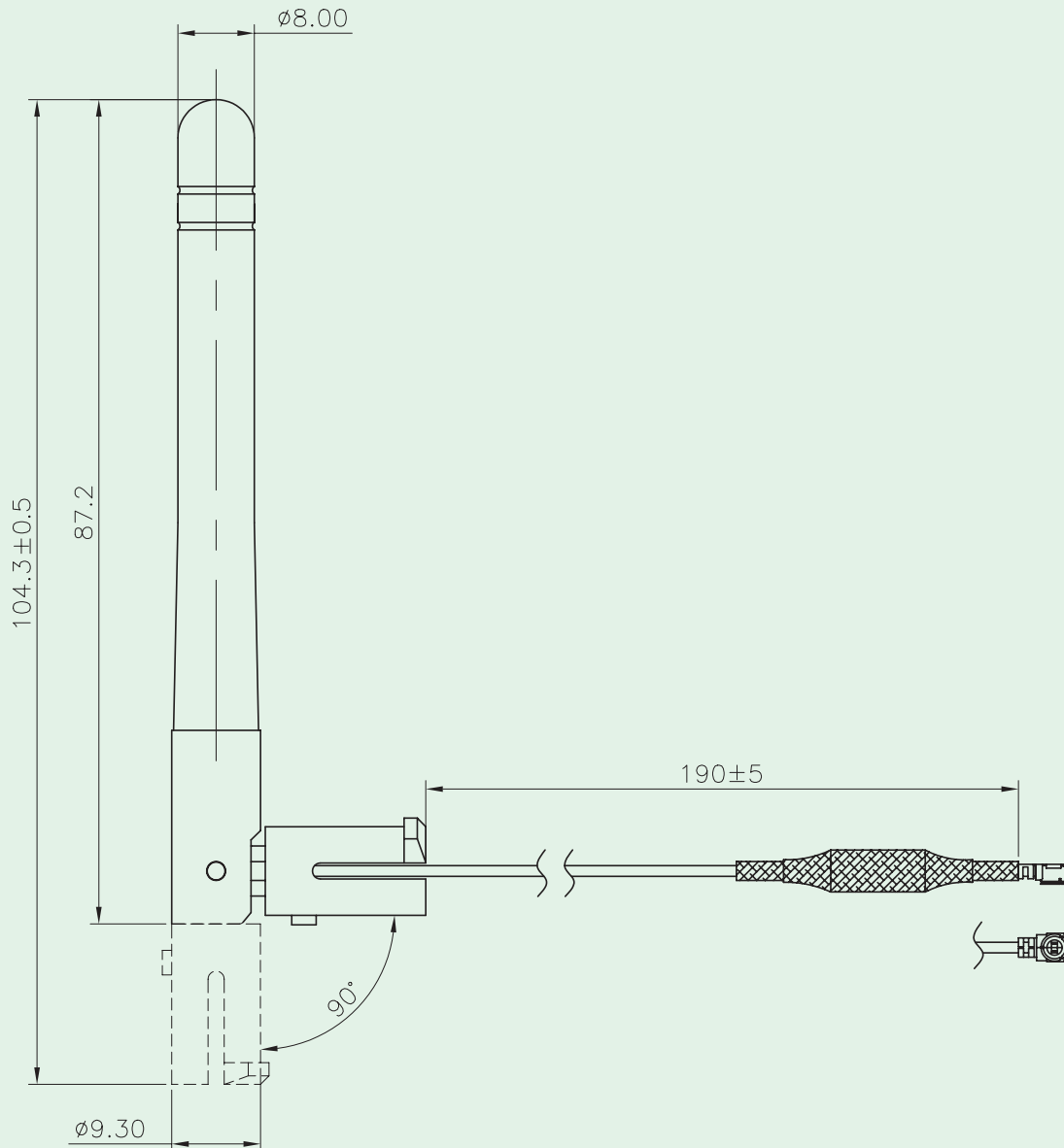
Series No.

6602106081-105



2.4GHz Swivel Antenna With Cable, U.FL Connector

KINSUN



ELECTRICAL :

- Frequency Range : 2.4~2.5GHz
- Impedance : 50Ω
- V.S.W.R. : ≤ 2.0
- Gain : 2.0dBi
- Radiation : Omni
- Electrical Wave : $1/4\lambda$, Dipole
- Polarization : Vertical

MECHANICAL :

- Antenna Cover : Plastic
- Antenna Base : Plastic
- Color : Black
- Operating Temperature : -20°C ~ +65°C
- Storage Temperature : -30°C ~ +75°C
- Cable : $\phi 1.13\text{mm}$
- Connector : U.FL

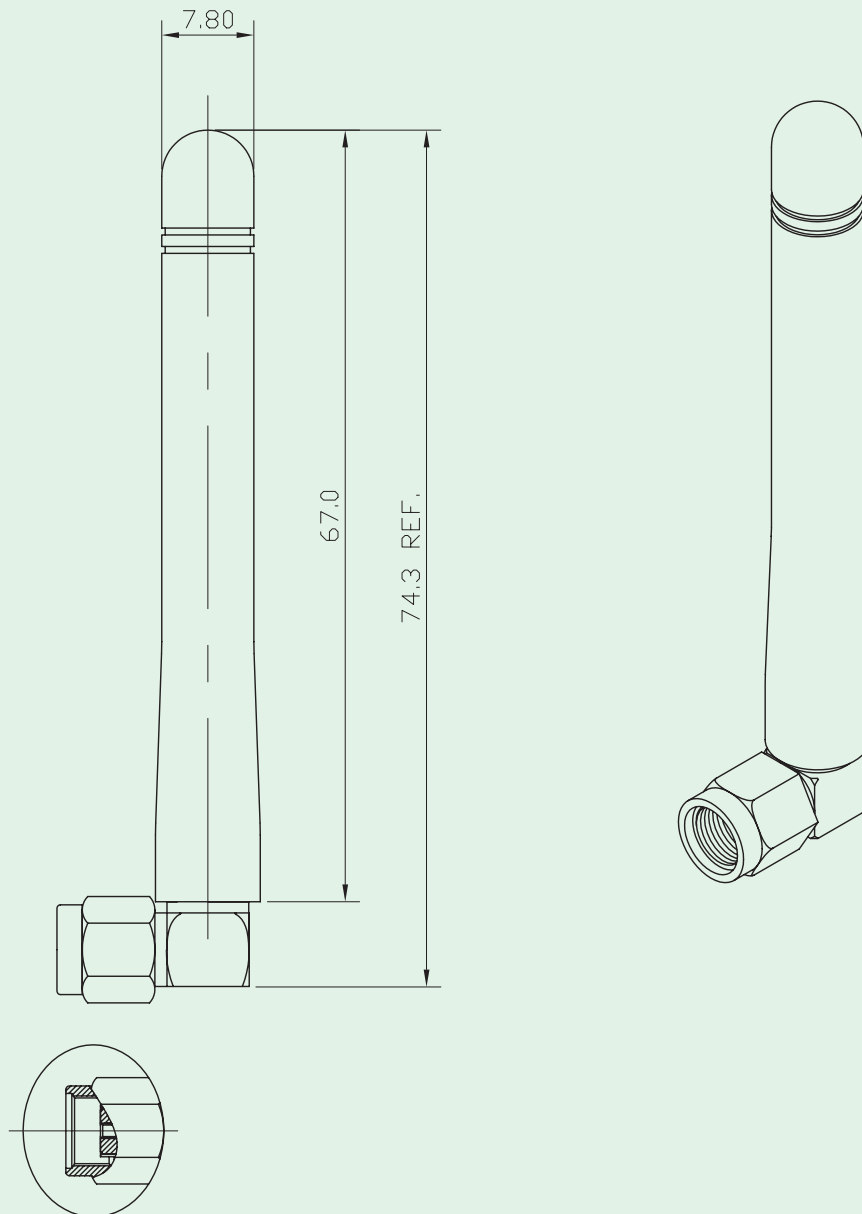
Series No.

6602813055-190



2.4GHz Right Angle Antenna With SMA Connector

KINSUN



ELECTRICAL :

- Frequency Range : 2.4~2.5GHz
- Impedance : 50Ω
- V.S.W.R. : ≤ 2.0
- Gain : 2.0dBi
- Radiation : Omni
- Electrical Wave : $1/4\lambda$, Dipole
- Polarization : Vertical

MECHANICAL :

- Antenna Cover : Plastic
- Color : Black
- Operating Temperature : $-20^{\circ}\text{C} \sim +65^{\circ}\text{C}$
- Storage Temperature : $-30^{\circ}\text{C} \sim +75^{\circ}\text{C}$
- Connector : SMA Male Reverse

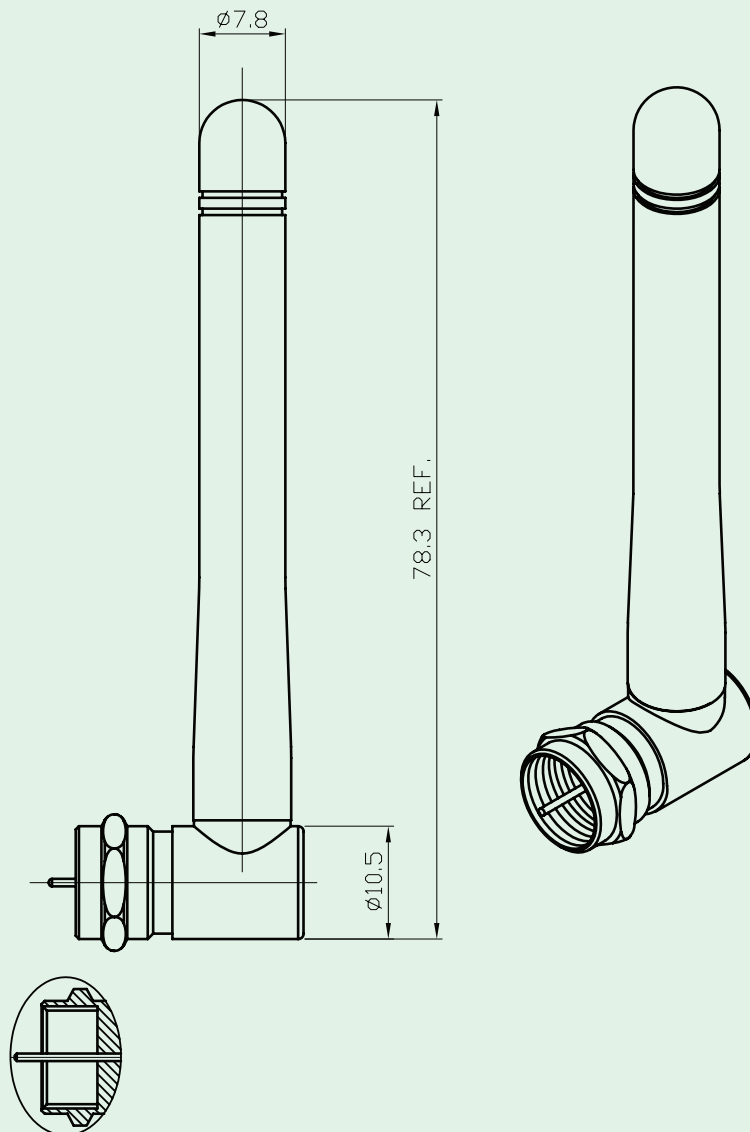
Series No.

6602120081



2.4GHz Right Angle Antenna With Type F Connector

KINSUN



ELECTRICAL :

- Frequency Range : 2.4GHz
- Impedance : 75Ω
- V.S.W.R. : ≤ 2.0
- Gain : 0.5dBi
- Radiation : Omni
- Electrical Wave : $1/4\lambda$
- Polarization : Vertical

MECHANICAL :

- Antenna Cover : PU
- Antenna Base : ABS
- Color : Black
- Operating Temperature : $-20^{\circ}\text{C} \sim +65^{\circ}\text{C}$
- Storage Temperature : $-30^{\circ}\text{C} \sim +75^{\circ}\text{C}$
- Cable : RG-178
- Connector : Type F-Male

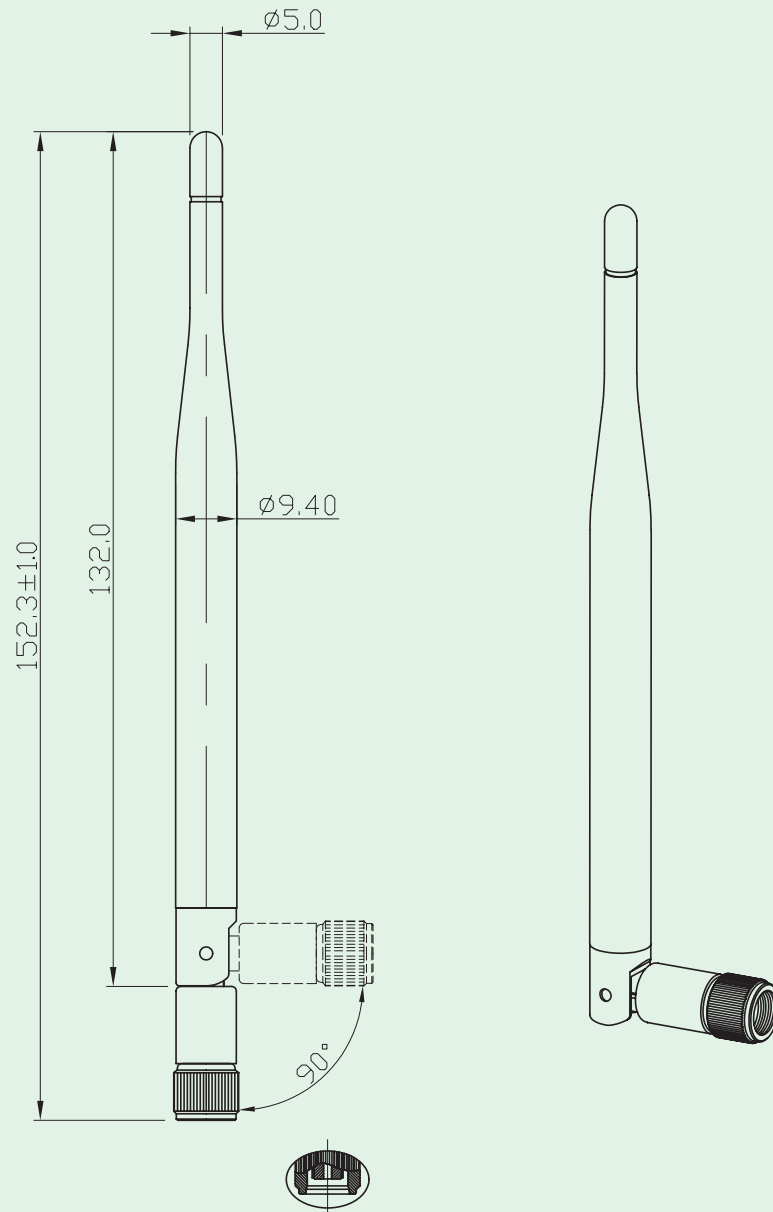
Series No.

6602122081



2.4GHz Swivel Antenna

KINSUN



ELECTRICAL :

- Frequency Range : 2.4~2.5GHz
- Impedance : 50Ω
- V.S.W.R. : ≤ 2.0
- Gain : 2.0dBi
- Radiation : Omni
- Electrical Wave : $1/4\lambda$, Dipole
- Polarization : Vertical

MECHANICAL :

- Antenna Cover : Plastic
- Antenna Base : Plastic
- Color : Black
- Operating Temperature : $-20^{\circ}\text{C} \sim +65^{\circ}\text{C}$
- Storage Temperature : $-30^{\circ}\text{C} \sim +75^{\circ}\text{C}$
- Connector : SMA Male Reverse

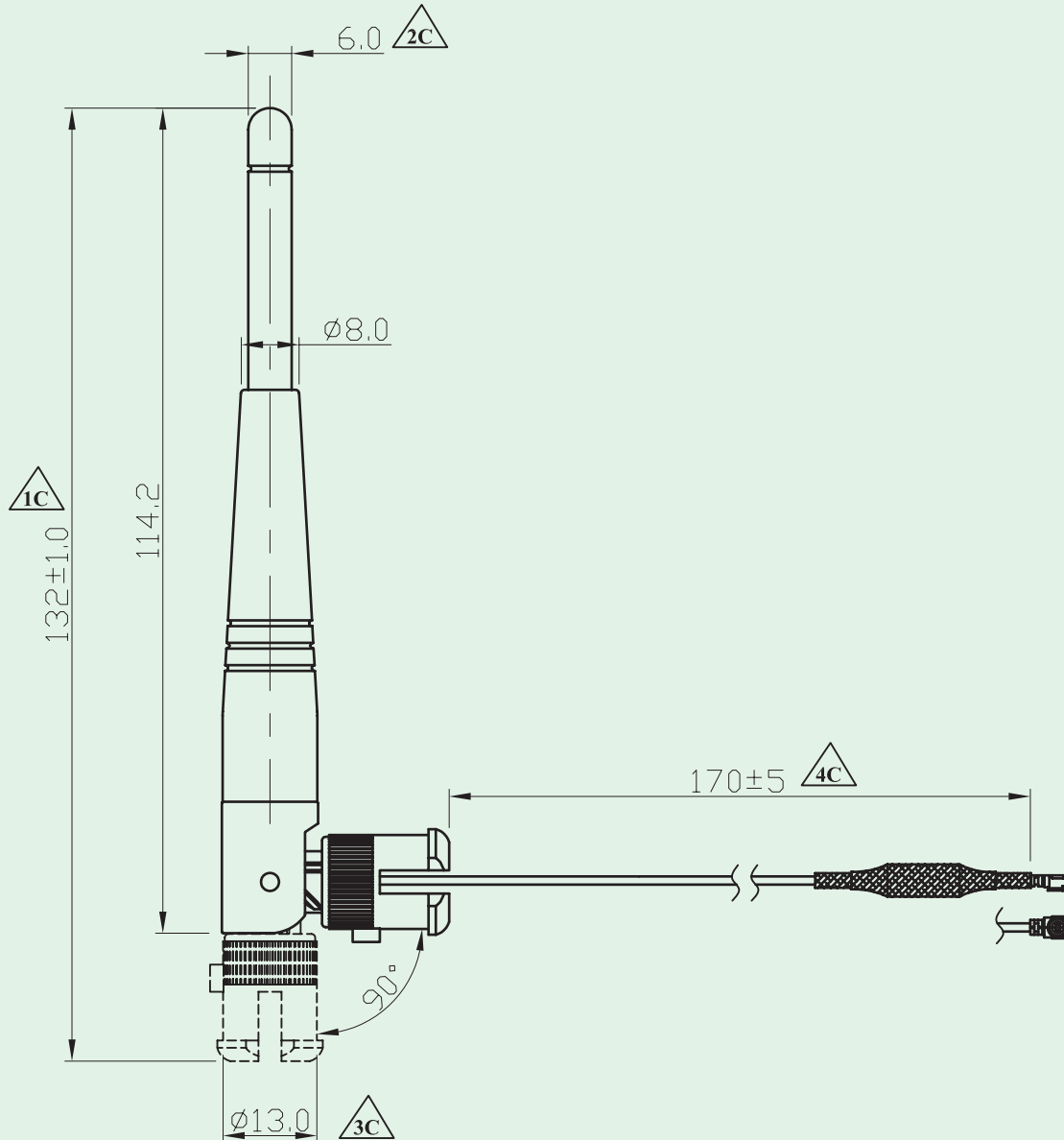
Series No.

6603803081-000



2.4GHz Swivel Antenna With Cable

KINSUN



ELECTRICAL :

- Frequency Range : 2.4~2.5GHz
- Impedance : 50Ω
- V.S.W.R. : ≤ 2.0
- Gain : 2.0dBi
- Radiation : Omni
- Electrical Wave : $1/4\lambda$, Dipole
- Polarization : Vertical

MECHANICAL :

- Antenna Cover : Plastic
- Antenna Base : Plastic
- Color : Black
- Operating Temperature : $-20^{\circ}\text{C} \sim +65^{\circ}\text{C}$
- Storage Temperature : $-30^{\circ}\text{C} \sim +75^{\circ}\text{C}$
- Cable : $\phi 1.13\text{mm}$
- Connector :U.FL

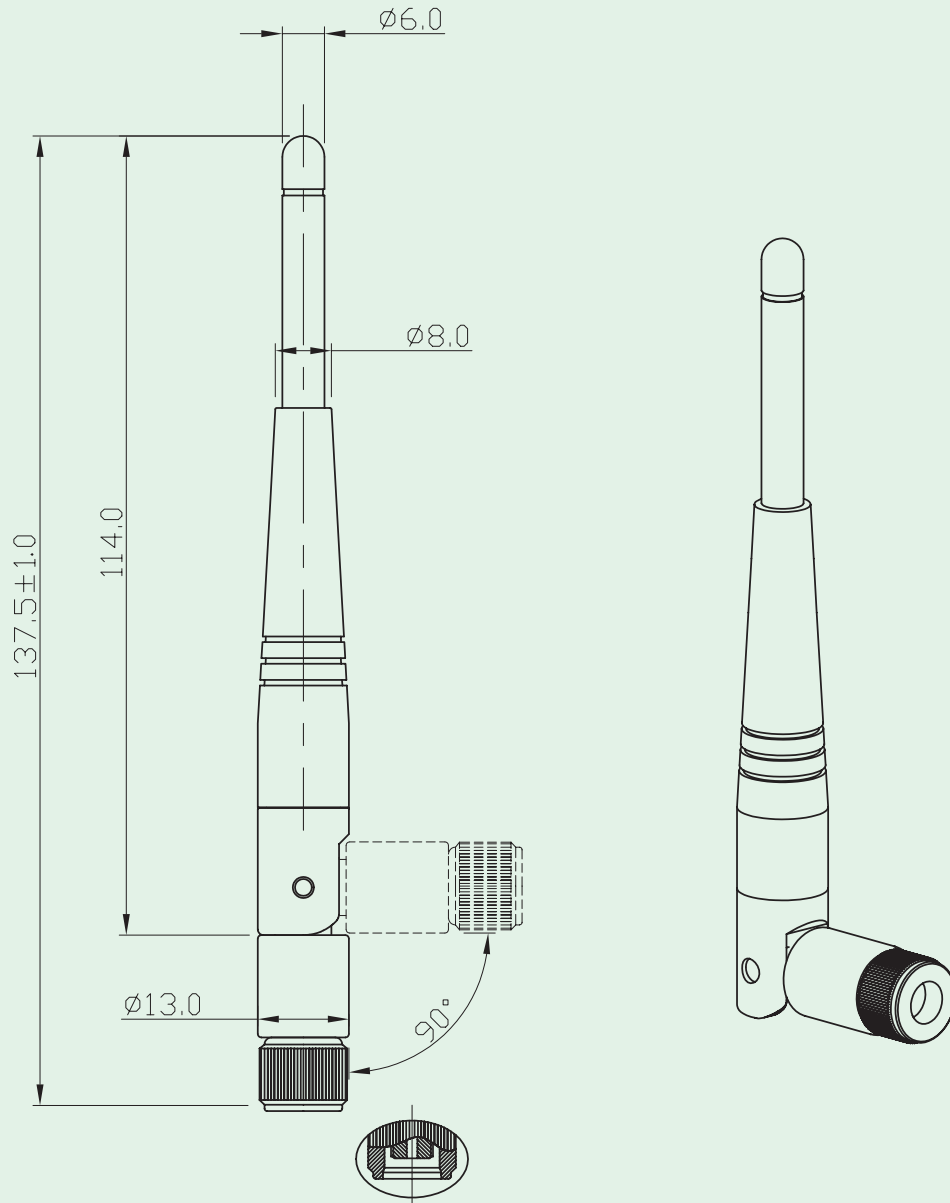
Series No.

6604813051-170



2.4GHz Swivel Antenna With SMA Connector

KINSUN



ELECTRICAL :

- Frequency Range : 2.4~2.5GHz
- Impedance : 50Ω
- V.S.W.R. : ≤ 2.0
- Gain : 2.5dBi
- Radiation : Omni
- Electrical Wave : $1/4\lambda$, Dipole
- Polarization : Vertical

MECHANICAL :

- Antenna Cover : Plastic
- Antenna Base : Plastic
- Color : Black
- Operating Temperature : $-20^{\circ}\text{C} \sim +65^{\circ}\text{C}$
- Storage Temperature : $-30^{\circ}\text{C} \sim +75^{\circ}\text{C}$
- Connector : SMA Male Reverse

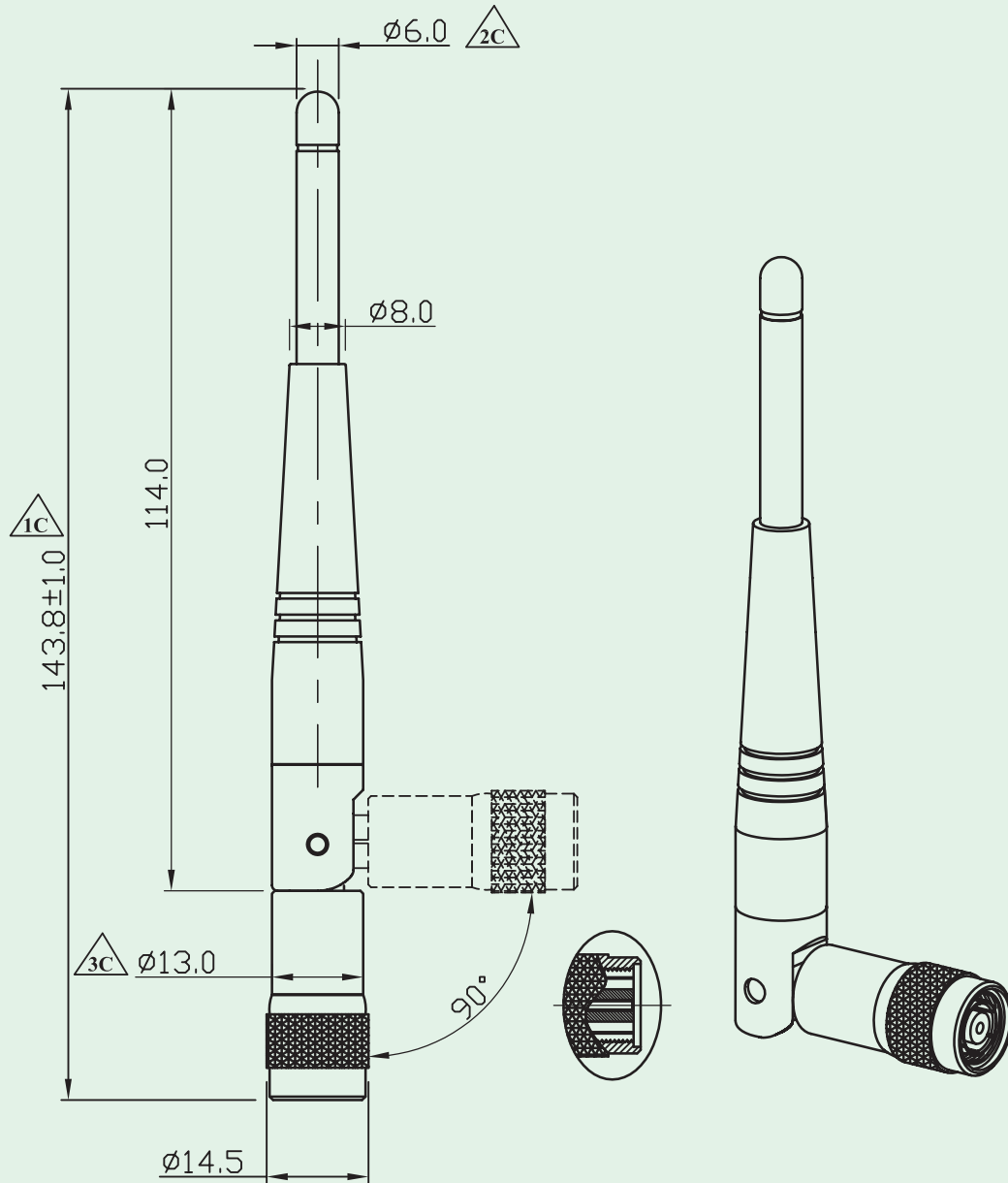
Series No.

6604803081-000



2.4GHz Swivel Antenna With TNC Connector

KINSUN



ELECTRICAL :

- Frequency Range : 2.4~2.5GHz
- Impedance : 50Ω
- V.S.W.R. : ≤ 2.0
- Gain : 2.5dBi
- Radiation : Omni
- Electrical Wave : $1/4\lambda$, Dipole
- Polarization : Vertical

MECHANICAL :

- Antenna Cover : Plastic
- Antenna Base : Plastic
- Color : Black
- Operating Temperature : $-20^{\circ}\text{C} \sim +65^{\circ}\text{C}$
- Storage Temperature : $-30^{\circ}\text{C} \sim +75^{\circ}\text{C}$
- Connector : TNC Male Reverse

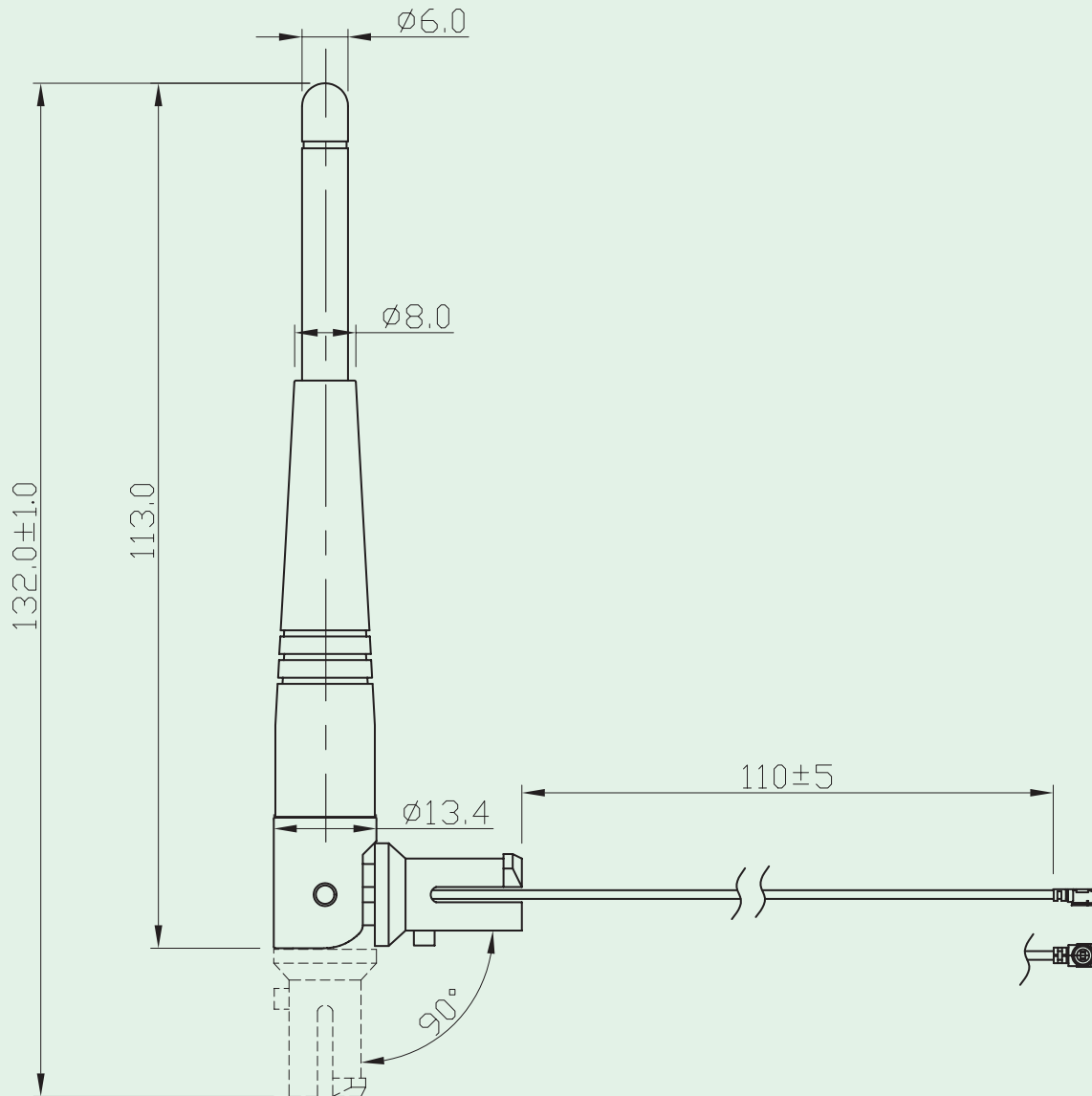
Series No.

6604809086-000



2.4GHz Swivel Antenna With Cable, U.FL Connector

KINSUN



ELECTRICAL :

- Frequency Range : 2.4~2.5GHz
- Impedance : 50Ω
- V.S.W.R. : ≤ 2.0
- Gain : 2.0dBi
- Radiation : Omni
- Electrical Wave : $1/4\lambda$, Dipole
- Polarization : Vertical

MECHANICAL :

- Antenna Cover : Plastic
- Antenna Base : Plastic
- Color : Black
- Operating Temperature : $-20^{\circ}\text{C} \sim +65^{\circ}\text{C}$
- Storage Temperature : $-30^{\circ}\text{C} \sim +75^{\circ}\text{C}$
- Cable : $\phi 1.13\text{mm}$
- Connector : U.FL

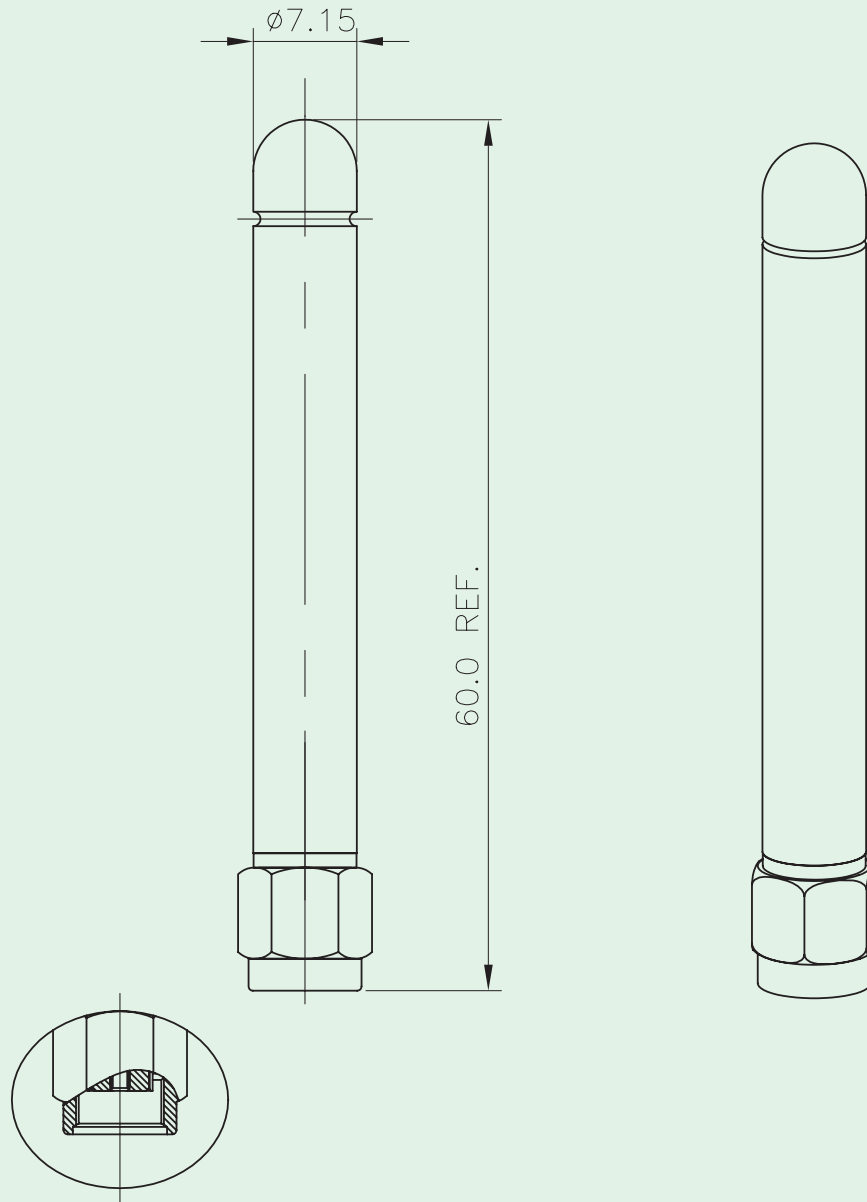
Series No.

6604813035-110



2.4GHz Straight Shorter Antenna

KINSUN



ELECTRICAL :

- Frequency Range : 2.4~2.5GHz
- Impedance : 50Ω
- V.S.W.R. : ≤ 2.0
- Gain : 1.0dBi
- Radiation : Omni
- Electrical Wave : $1/4\lambda$, Dipole
- Polarization : Vertical

MECHANICAL :

- Antenna Cover : Plastic
- Color : Black
- Operating Temperature : $-20^{\circ}\text{C} \sim +65^{\circ}\text{C}$
- Storage Temperature : $-30^{\circ}\text{C} \sim +75^{\circ}\text{C}$
- Connector : SMA Male Reverse

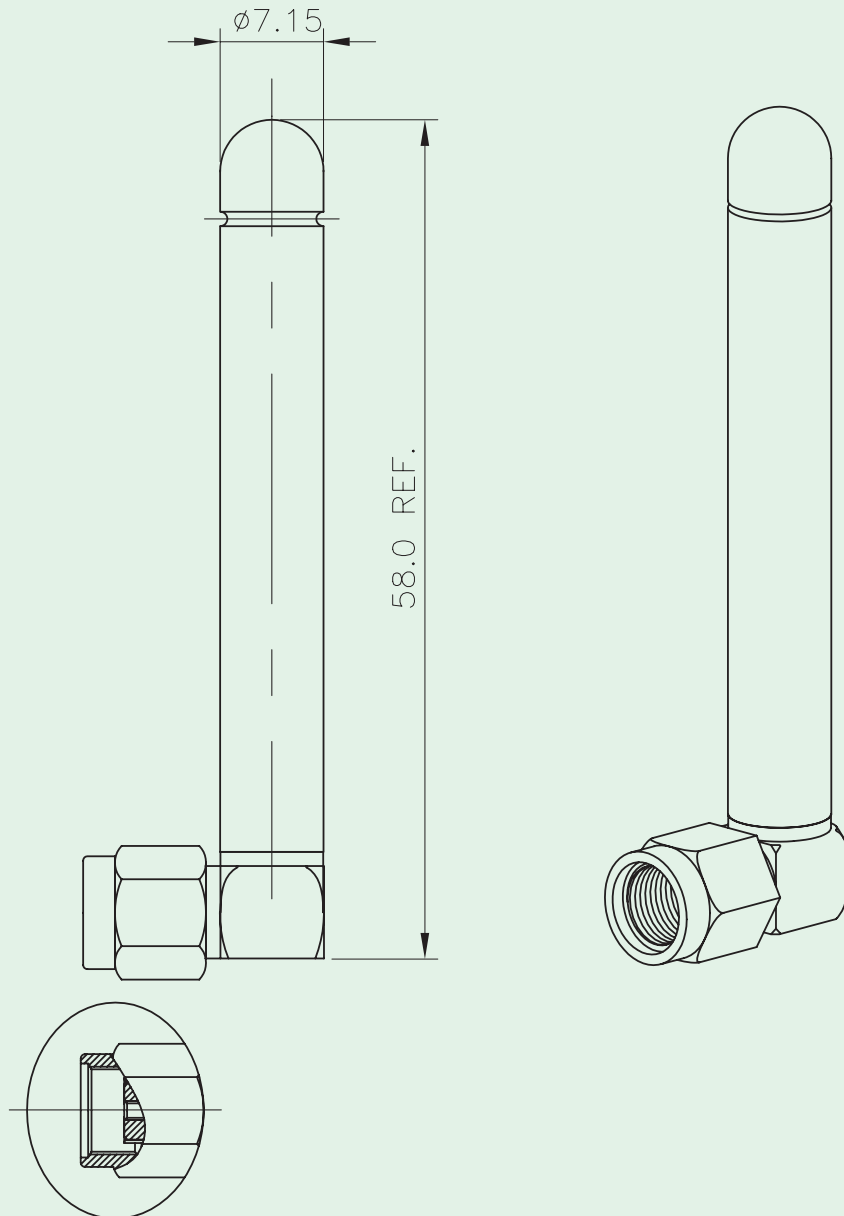
Series No.

6605-1



2.4GHz Right Angle Shorter Antenna

KINSUN



ELECTRICAL :

- Frequency Range : 2.4~2.5GHz
- Impedance : 50Ω
- V.S.W.R. : ≤ 2.0
- Gain : 1.0dBi
- Radiation : Omni
- Electrical Wave : $1/4\lambda$, Dipole
- Polarization : Vertical

MECHANICAL :

- Antenna Cover : Plastic
- Color : Black
- Operating Temperature : $-20^{\circ}\text{C} \sim +65^{\circ}\text{C}$
- Storage Temperature : $-30^{\circ}\text{C} \sim +75^{\circ}\text{C}$
- Connector : SMA Male Reverse

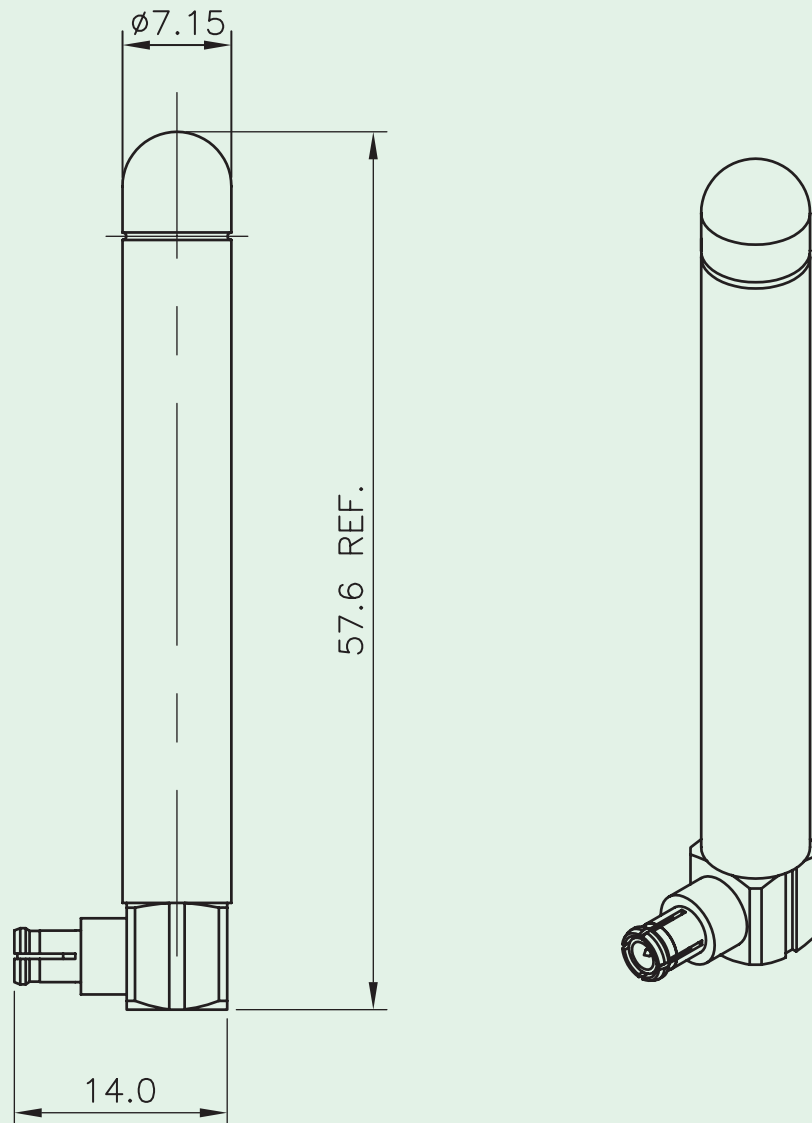
Series No.

6605104081-000



2.4GHz Right Angle Shorter Antenna With MCX Connector

KINSUN



ELECTRICAL :

- Frequency Range : 2.4~2.5GHz
- Impedance : 50Ω
- V.S.W.R. : ≤ 2.0
- Gain : 1.0dBi
- Radiation : Omni
- Electrical Wave : $1/4\lambda$, Dipole
- Polarization : Vertical

MECHANICAL :

- Antenna Cover : Plastic
- Color : Black
- Operating Temperature : $-20^{\circ}\text{C} \sim +65^{\circ}\text{C}$
- Storage Temperature : $-30^{\circ}\text{C} \sim +75^{\circ}\text{C}$
- Connector : MCX.

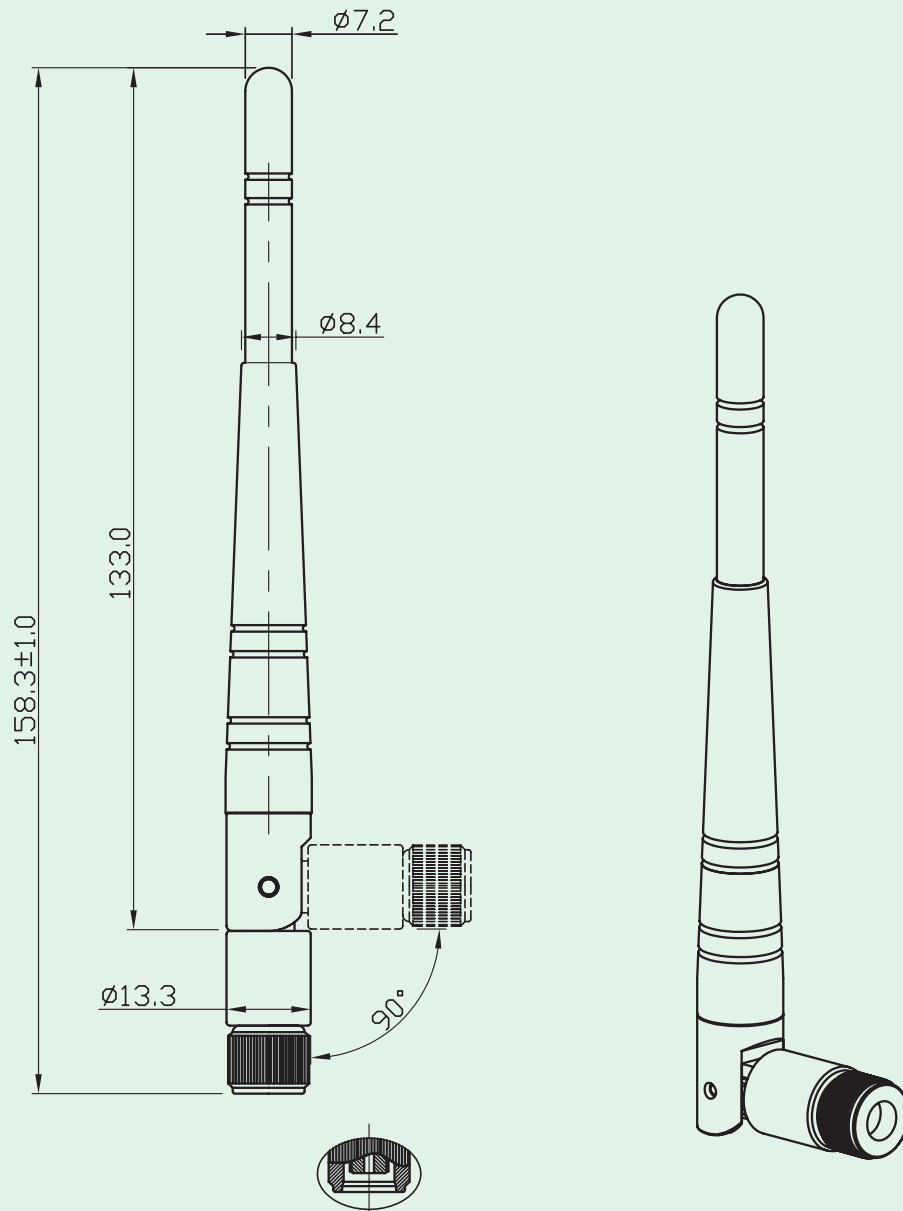
Series No.

6605112081



2.4GHz Swivel Antenna

KINSUN



ELECTRICAL :

- Frequency Range : 2.4~2.5GHz
- Impedance : 50Ω
- V.S.W.R. : ≤ 2.0
- Gain : 2.0dBi
- Radiation : Omni
- Electrical Wave : $1/4\lambda$, Dipole
- Polarization : Vertical

MECHANICAL :

- Antenna Cover : Plastic
- Antenna Base : Plastic
- Color : Black
- Operating Temperature : $-20^{\circ}\text{C} \sim +65^{\circ}\text{C}$
- Storage Temperature : $-30^{\circ}\text{C} \sim +75^{\circ}\text{C}$
- Connector : SMA Male Reverse

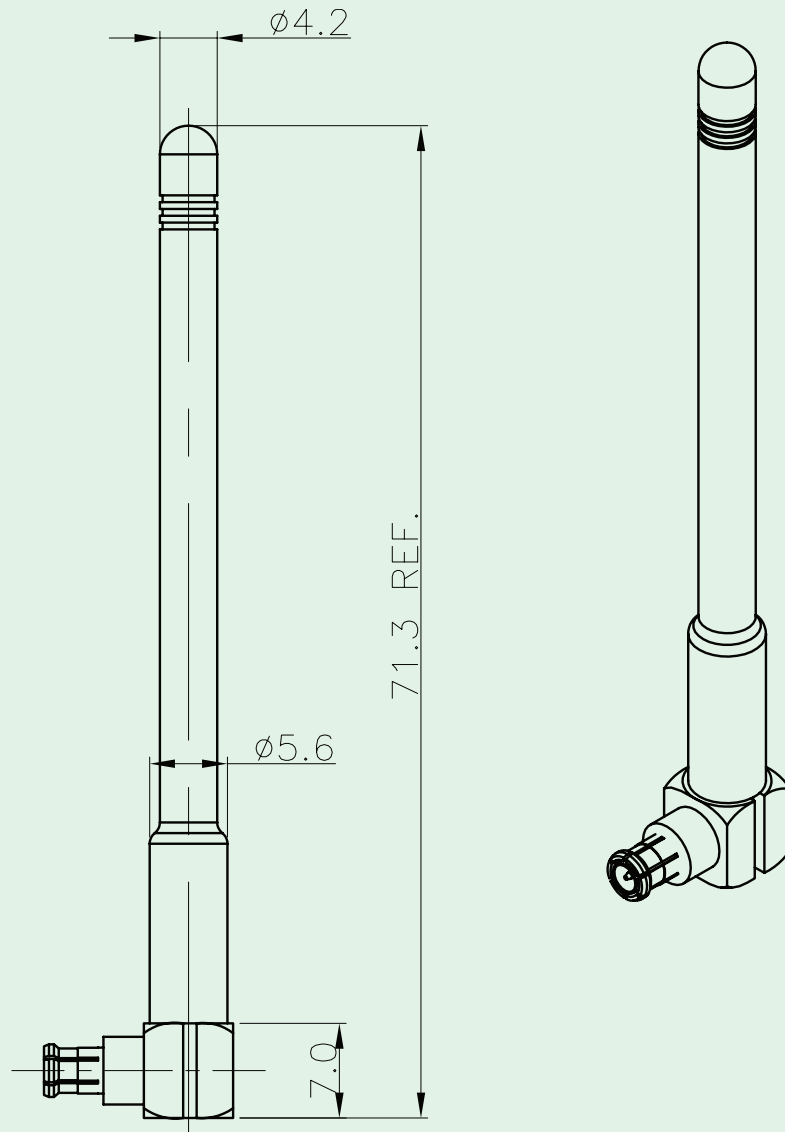
Series No.

6606 Series



2.4GHz Right Angle Antenna

KINSUN



ELECTRICAL :

- Frequency Range : 2.4~2.5GHz
- Impedance : 75Ω
- V.S.W.R. : ≤ 2.0
- Gain : 1.0dBi
- Radiation : Omni
- Electrical Wave : $1/2\lambda$, Monopole
- Polarization : Vertical

MECHANICAL :

- Antenna Cover : TPE
- Antenna Base : ABS
- Color : Black
- Connector : MCX Male
- Cable : RG-178

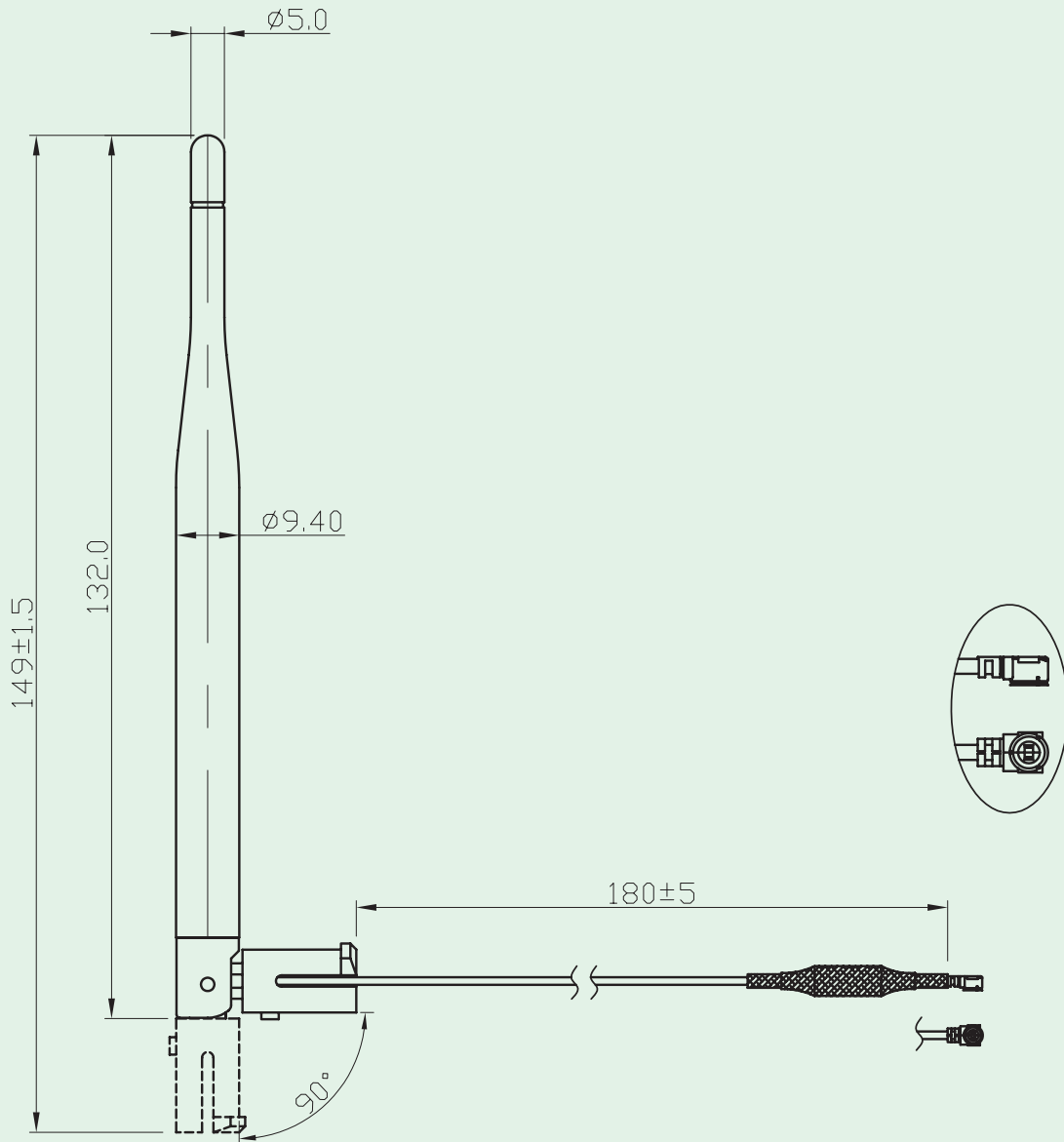
Series No.

6621B01081



2.4GHz High Gain Antenna With Cable

KINSUN



ELECTRICAL :

- Frequency Range : 2.4~2.5GHz
- Impedance : 50Ω
- V.S.W.R. : ≤ 2.0
- Gain : 4dBi
- Radiation : Omni
- Electrical Wave : $1/4\lambda$, Dipole
- Polarization : Vertical

MECHANICAL :

- Antenna Cover : Plastic
- Antenna Base : Plastic
- Color : Black
- Operating Temperature : $-20^{\circ}\text{C} \sim +65^{\circ}\text{C}$
- Storage Temperature : $-30^{\circ}\text{C} \sim +75^{\circ}\text{C}$
- Cable : $\phi 1.13\text{mm}$
- Connector : U.FL

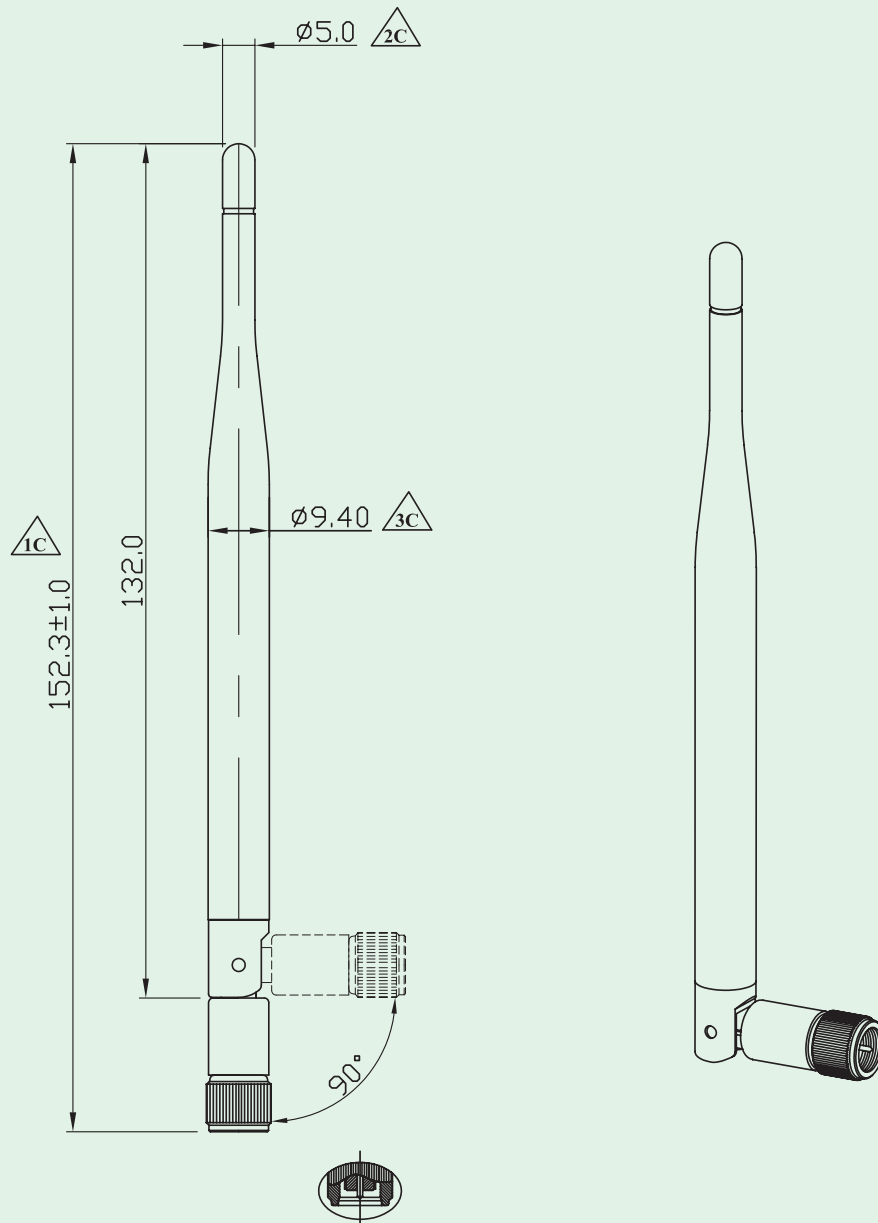
Series No.

6603A13031-180



2.4GHz High Gain Antenna

KINSUN



ELECTRICAL :

- Frequency Range : 2.4~2.5GHz
- Impedance : 50Ω
- V.S.W.R. : ≤ 2.0
- Gain : 4dBi
- Radiation : Omni
- Electrical Wave : $1/4\lambda$, Dipole
- Polarization : Vertical

MECHANICAL :

- Antenna Cover : Plastic
- Antenna Base : Plastic
- Color : Black
- Operating Temperature : $-20^\circ\text{C} \sim +65^\circ\text{C}$
- Storage Temperature : $-30^\circ\text{C} \sim +75^\circ\text{C}$
- Connector : SMA Male

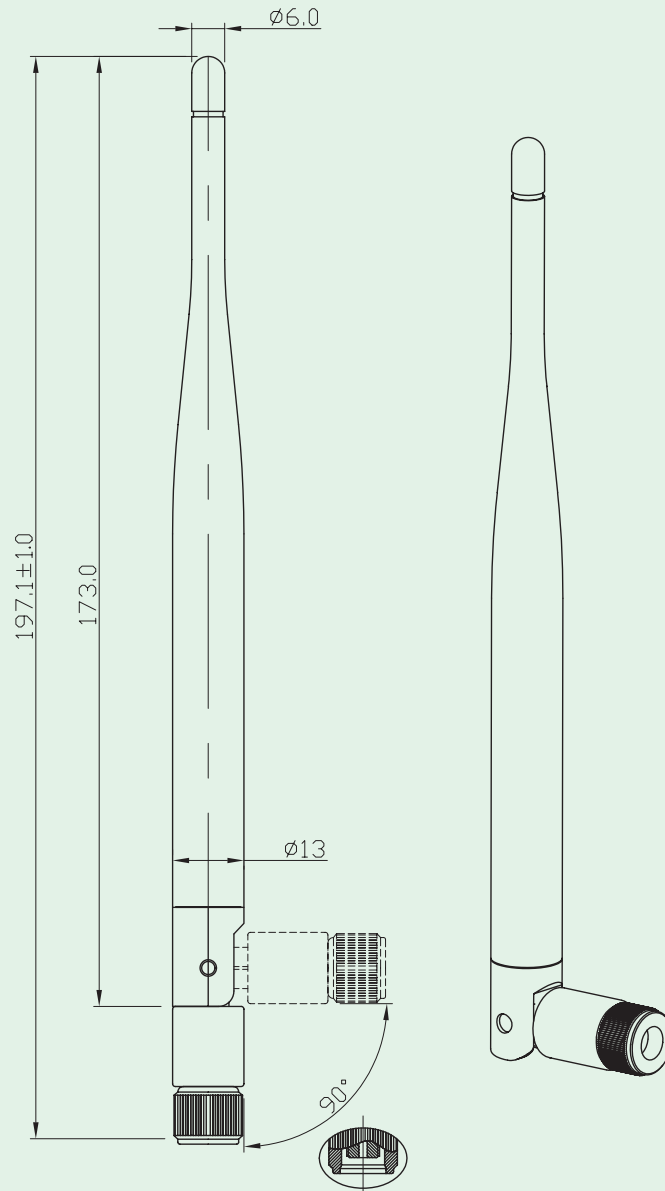
Series No.

6603A01081-000



2.4GHz High Gain Antenna

KINSUN



ELECTRICAL :

- Frequency Range : 2.4~2.5GHz
- Impedance : 50Ω
- V.S.W.R. : ≤ 2.0
- Gain : 5.0dBi
- Radiation : Omni
- Electrical Wave : $1/4\lambda$, Dipole
- Polarization : Vertical

MECHANICAL :

- Antenna Cover : Plastic
- Antenna Base : Plastic
- Color : Black
- Operating Temperature : $-20^{\circ}\text{C} \sim +65^{\circ}\text{C}$
- Storage Temperature : $-30^{\circ}\text{C} \sim +75^{\circ}\text{C}$
- Connector : SMA Male Reverse

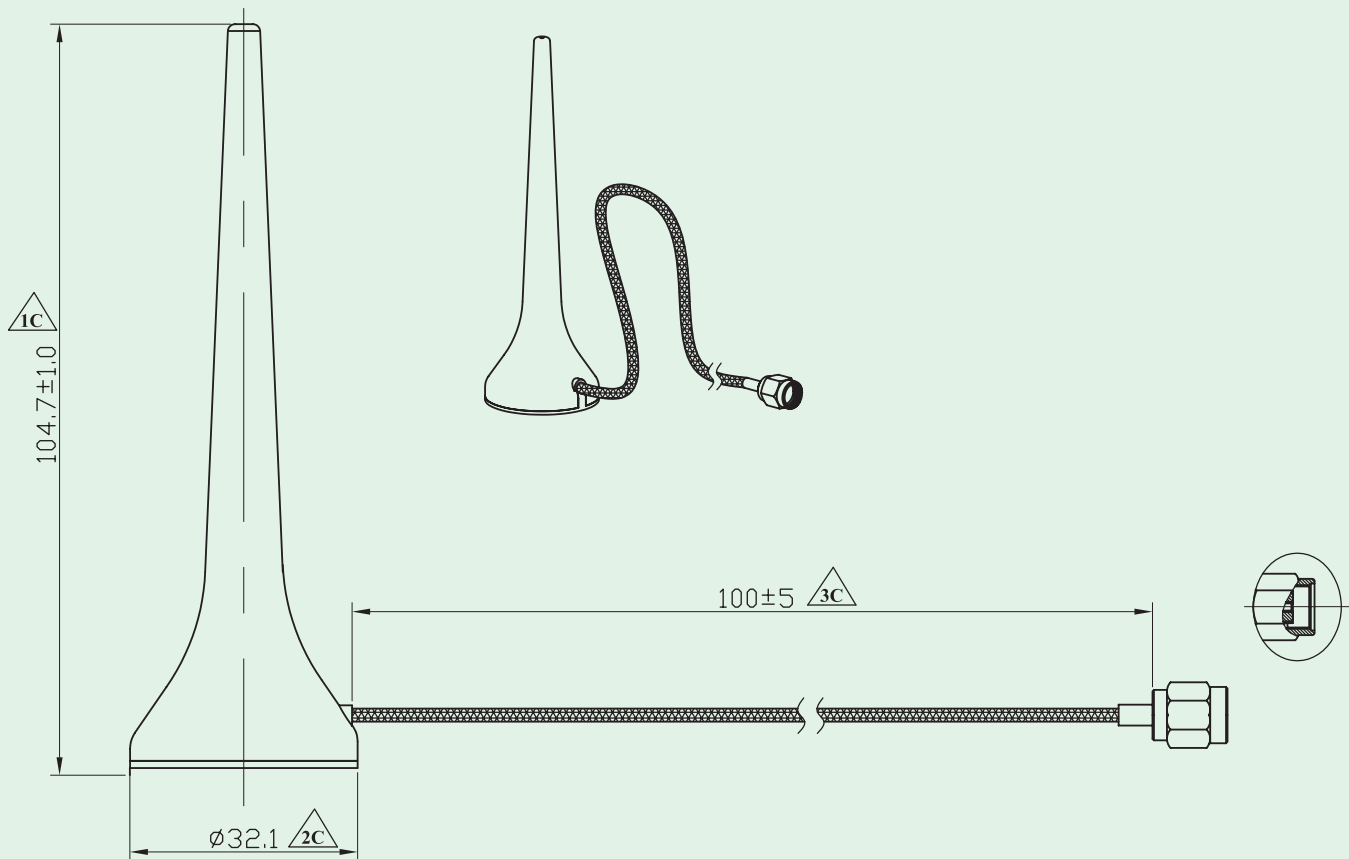
Series No.

6610103081-000



2.4GHz Magnetic Antenna

KINSUN



ELECTRICAL :

- Frequency Range : 2.4~2.5GHz
- Impedance : 50Ω
- V.S.W.R. : ≤ 2.0
- Gain : 2.0dBi
- Radiation : Omni
- Polarization : Vertical

MECHANICAL :

- Antenna Cover : Plastic
- Color : Black
- Operating Temperature : -20°C ~ +65°C
- Storage Temperature : -30°C ~ +75°C
- Cable : RG-178
- Connector : SMA Male Reverse

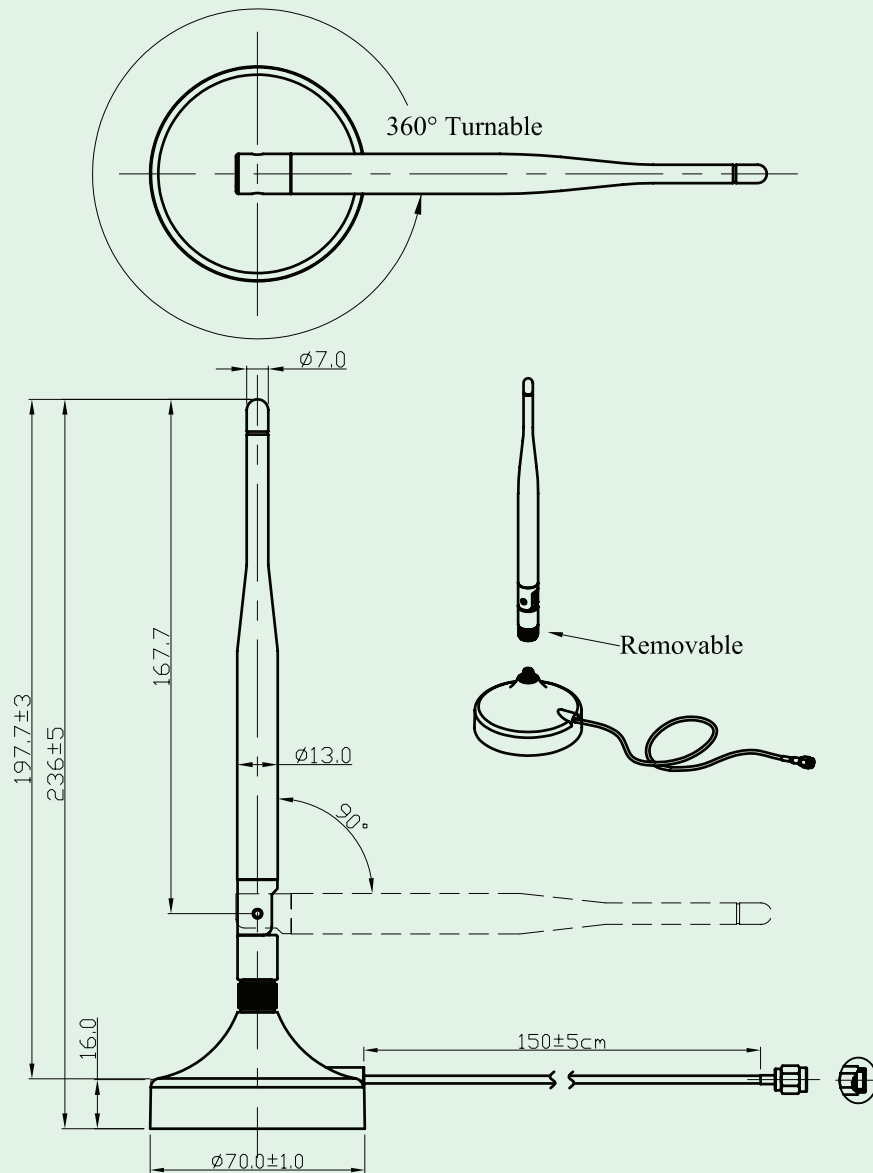
Series No.

6640103081-10M



2.4GHz Swivel Antenna With Magnetic

KINSUN



ELECTRICAL :

- Frequency Range : 2.4GHz
- Impedance : 50Ω
- V.S.W.R. : ≤ 2.0
- Gain : 3dBi
- Radiation : Omni
- Electrical Wave : $1/2\lambda$
- Polarization : Vertical

MECHANICAL :

- Antenna Cover : PU
- Antenna Base : PC+ABS
- Color : Black
- Operating Temperature : $-20^{\circ}\text{C} \sim +65^{\circ}\text{C}$
- Storage Temperature : $-30^{\circ}\text{C} \sim +75^{\circ}\text{C}$
- Cable : RG-178
- Connector : SMA Male Reverse

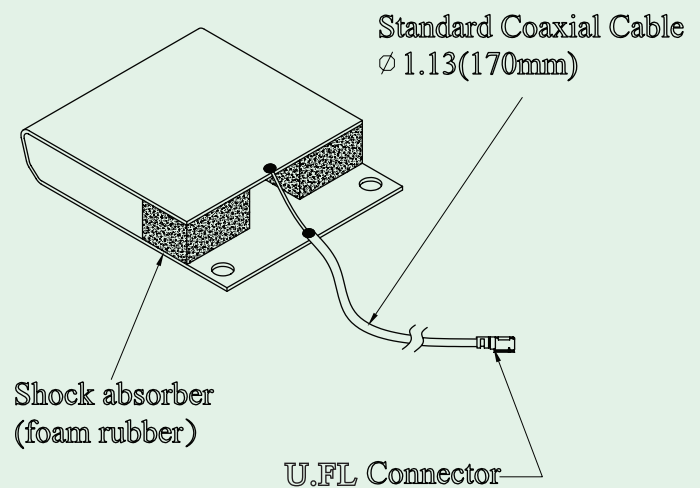
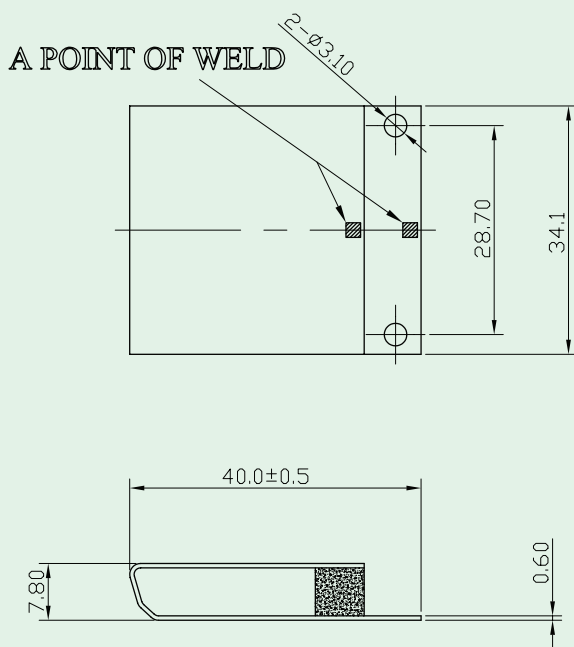
Series No.

6642B03141-15M



2.4GHz PIFA Antenna

KINSUN



ELECTRICAL :

- Frequency Range : 2.4~2.5GHz
- Impedance : 50 Ω
- V.S.W.R. : \leq 2.0
- Gain : 2.0dBi
- Polarization : Vertical

MECHANICAL :

- Material : Metal
- Operating Temperature : -20 $^{\circ}$ C ~ +65 $^{\circ}$ C
- Storage Temperature : -30 $^{\circ}$ C ~ +75 $^{\circ}$ C
- Cable : ϕ 1.13mm
- Connector : U.FL

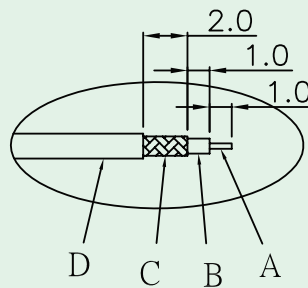
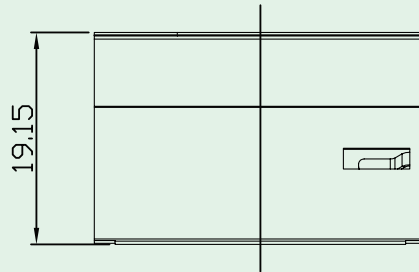
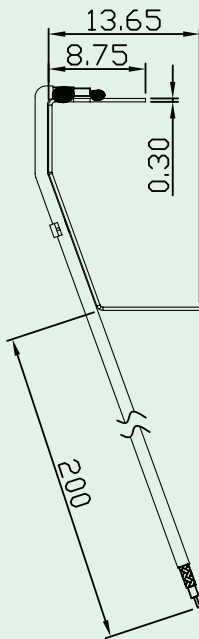
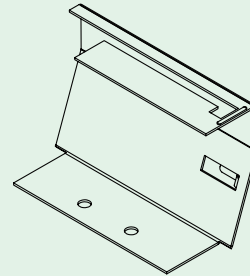
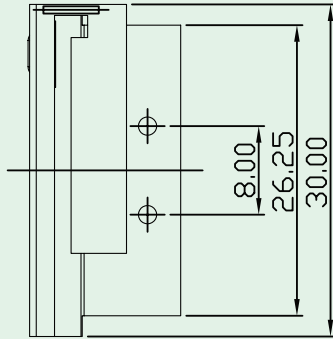
Series No.

6660113030-170



PIFA Antenna

KINSUN



A - Center conductor
B - Dielectric
C - Outer conductor
D - Jacket

ELECTRICAL :

- Frequency Range : 2.4~2.5GHz
- Impedance : 50Ω
- V.S.W.R. : ≤ 2.0
- Gain : 1~2dBi
- Radiation : Directional
- Polarization : Plane
- Electrical Wave : $1/4\lambda$, PIFA

MECHANICAL :

- Material : Nickel Silver
- Operating Temperature : $-20^{\circ}\text{C} \sim +65^{\circ}\text{C}$
- Storage Temperature : $-30^{\circ}\text{C} \sim +75^{\circ}\text{C}$
- Cable : $\phi 1.13\text{mm}$

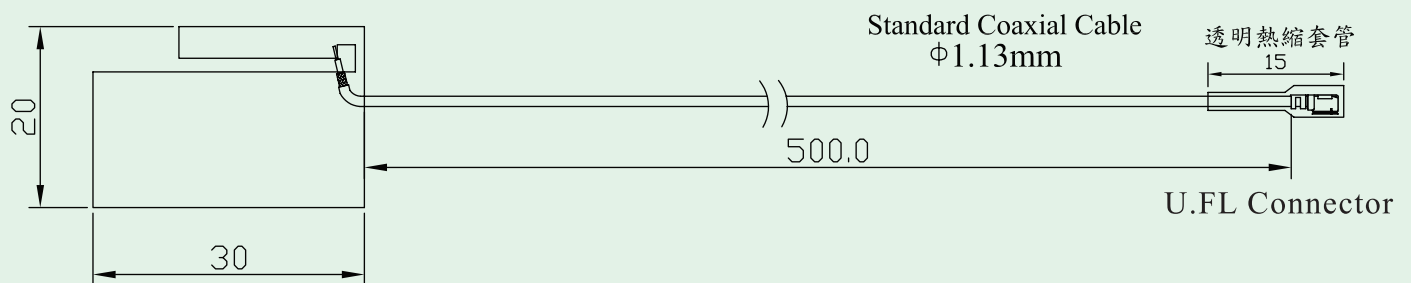
Series No.

6663100032-200



PIFA Antenna

KINSUN



ELECTRICAL :

- Frequency Range : 2.4~2.5GHz
- Impedance : 50 Ω
- V.S.W.R. : ≤ 2.0
- Gain : 0dBi
- Radiation : Directional
- Polarization : Plane
- Electrical Wave : $1/4\lambda$, PIFA

MECHANICAL :

- Material : Tinplate
- Operating Temperature : $-20^{\circ}\text{C} \sim +65^{\circ}\text{C}$
- Storage Temperature : $-30^{\circ}\text{C} \sim +75^{\circ}\text{C}$
- Cable : $\phi 1.13\text{mm}$
- Connector : U.FL

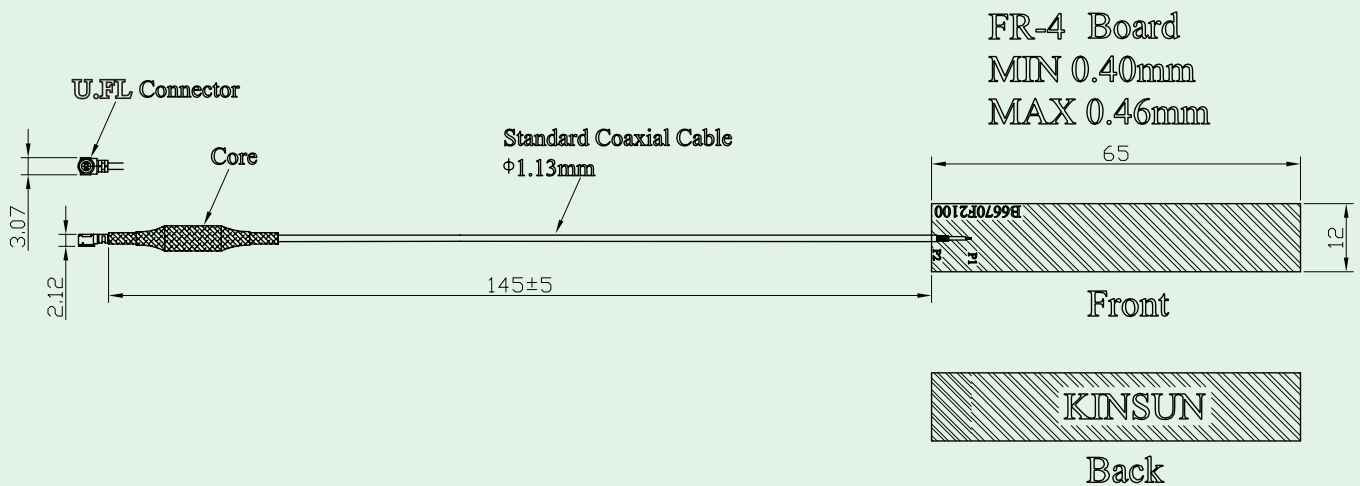
Series No.

6663113031-500



2.4GHz PCB Antenna

KINSUN



ELECTRICAL :

- Frequency Range : 2.4~2.5GHz
- Impedance : 50 Ω
- V.S.W.R. : ≤ 2.0
- Gain : 2.0dBi
- Electrical Wave : $1/4\lambda$
- Polarization : Vertical

MECHANICAL :

- Material : FR-4 PCB
- Color : Black
- Operating Temperature : -20 $^{\circ}\text{C}$ ~ +65 $^{\circ}\text{C}$
- Storage Temperature : -30 $^{\circ}\text{C}$ ~ +75 $^{\circ}\text{C}$
- Cable : $\phi 1.13\text{mm}$
- Connector : U.F.L

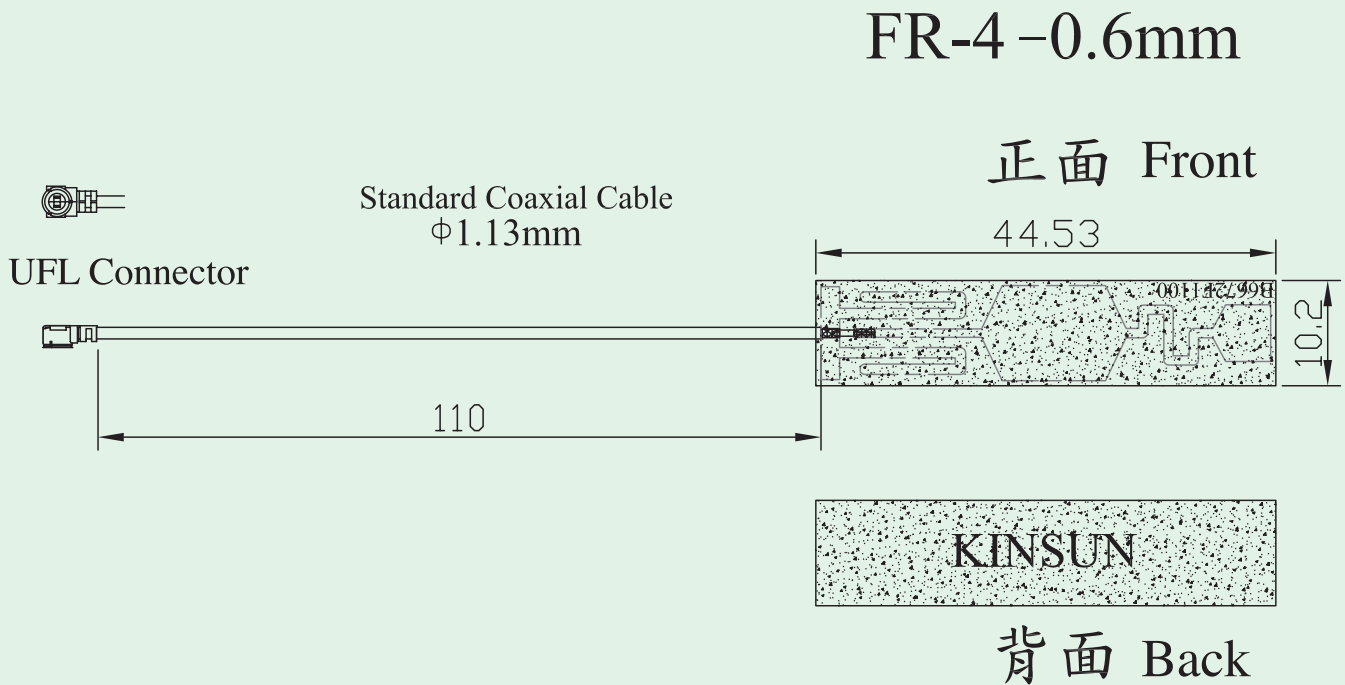
Series No.

6670113050-145



2.4GHz PCB Antenna

KINSUN



ELECTRICAL :

- Frequency Range : 2.4~2.5GHz
- Impedance : 50 Ω
- V.S.W.R. : ≤ 1.6
- Gain : 2.6dBi
- Electrical Wave : $1/4\lambda$
- Polarization : Vertical

MECHANICAL :

- Material : FR-4 PCB
- Color : Black
- Operating Temperature : -20 $^{\circ}\text{C}$ ~ +65 $^{\circ}\text{C}$
- Storage Temperature : -30 $^{\circ}\text{C}$ ~ +75 $^{\circ}\text{C}$
- Cable : $\phi 1.13\text{mm}$
- Connector : U.FL

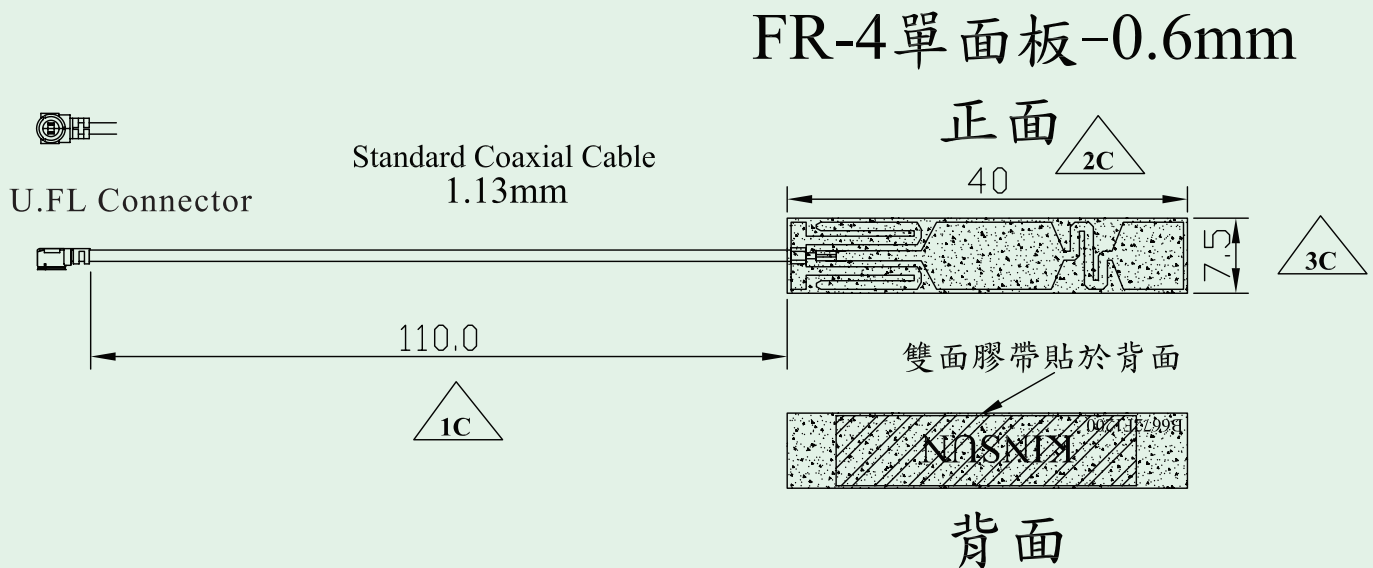
Series No.

6672113031-110



2.4GHz PCB Antenna

KINSUN



ELECTRICAL :

- Frequency Range : 2.4~2.5GHz
- Impedance : 50Ω
- V.S.W.R. : ≤ 1.8
- Gain : 1.0dBi
- Radiation : Directional
- Electrical Wave : $1/4\lambda$, Dipole
- Polarization : Plane

MECHANICAL :

- Material : FR-4 PCB
- Operating Temperature : $-20^{\circ}\text{C} \sim +65^{\circ}\text{C}$
- Storage Temperature : $-30^{\circ}\text{C} \sim +75^{\circ}\text{C}$
- Cable : $\phi 1.13\text{mm}$
- Connector : U.FL

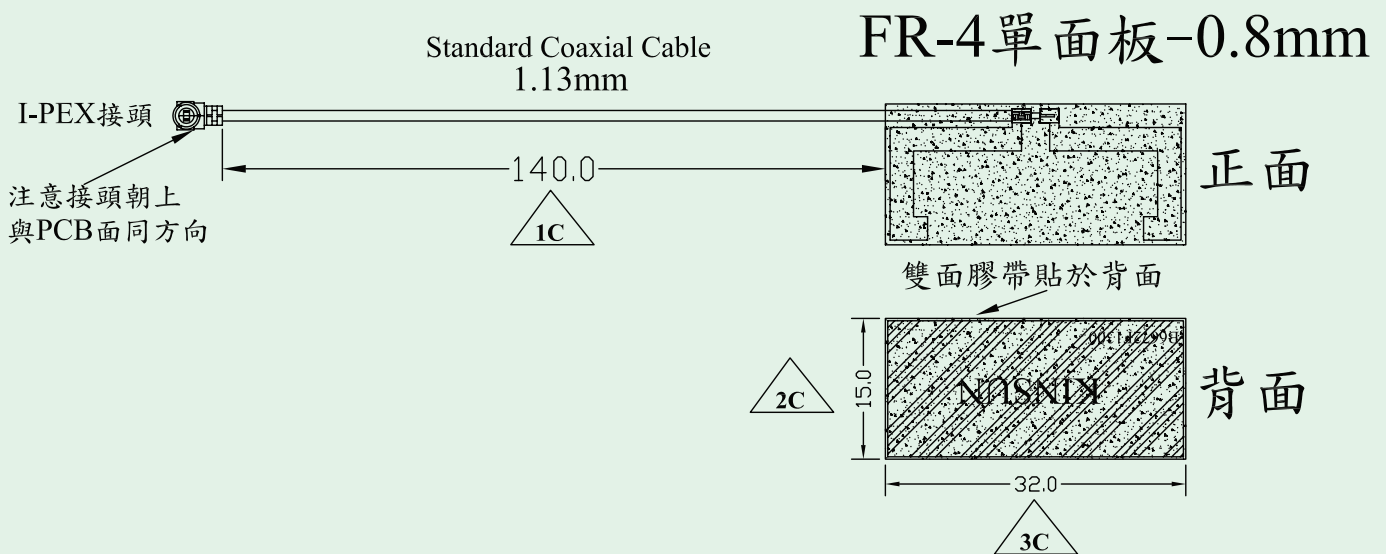
Series No.

66721133B2-110



2.4GHz PCB Antenna

KINSUN



ELECTRICAL :

- Frequency Range : 2.4~2.5GHz
- Impedance : 50Ω
- V.S.W.R. : ≤ 2.0
- Gain : 1.0dBi
- Radiation : Directional
- Electrical Wave : $1/4\lambda$, Dipole
- Polarization : Plane

MECHANICAL :

- Material : FR-4 PCB
- Operating Temperature : $-20^{\circ}\text{C} \sim +65^{\circ}\text{C}$
- Storage Temperature : $-30^{\circ}\text{C} \sim +75^{\circ}\text{C}$
- Cable : $\phi 1.13\text{mm}$
- Connector : U.FL

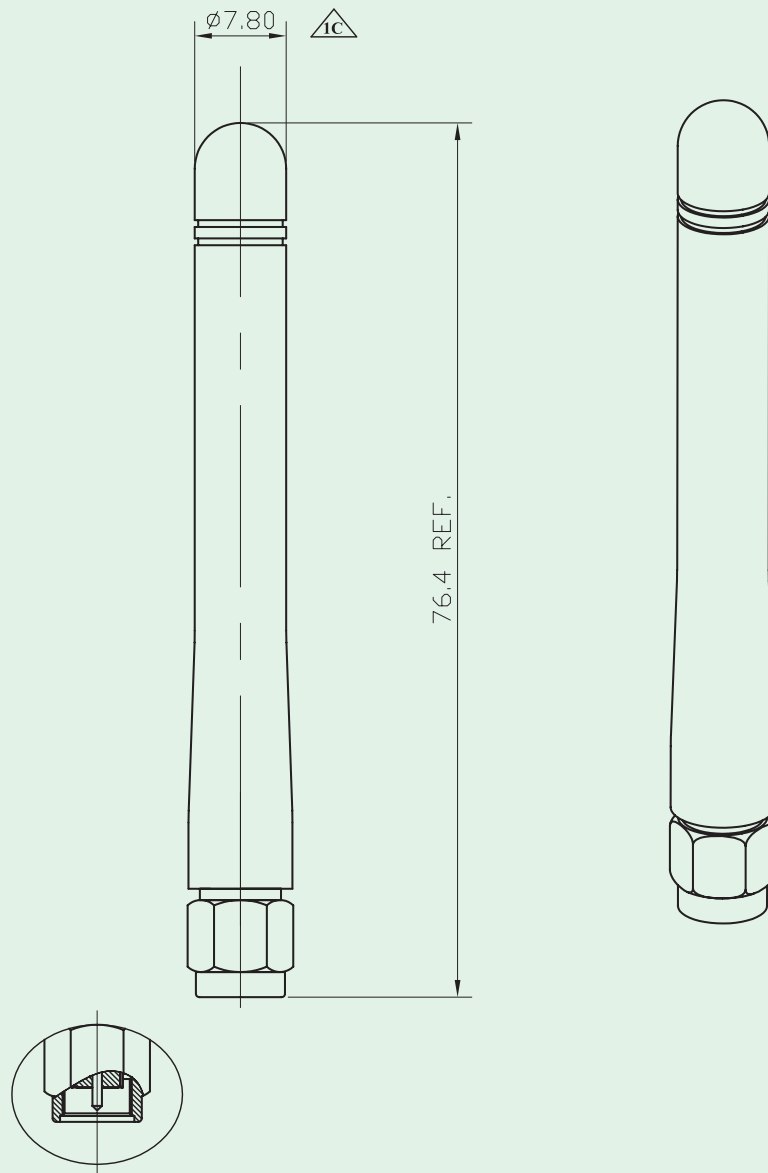
Series No.

66721133B3-140



5.8GHz Antenna

KINSUN



ELECTRICAL :

- Frequency Range : 5.2~5.8GHz
- Impedance : 50Ω
- V.S.W.R. : ≤ 2.0
- Gain : 2.0dBi
- Radiation : Omni
- Electrical Wave : $1/4\lambda$, Dipole
- Polarization : Vertical

MECHANICAL :

- Antenna Cover : Plastic
- Color : Black
- Operating Temperature : $-20^{\circ}\text{C} \sim +65^{\circ}\text{C}$
- Storage Temperature : $-30^{\circ}\text{C} \sim +75^{\circ}\text{C}$
- Cable : RG-178
- Connector : SMA Male Reverse

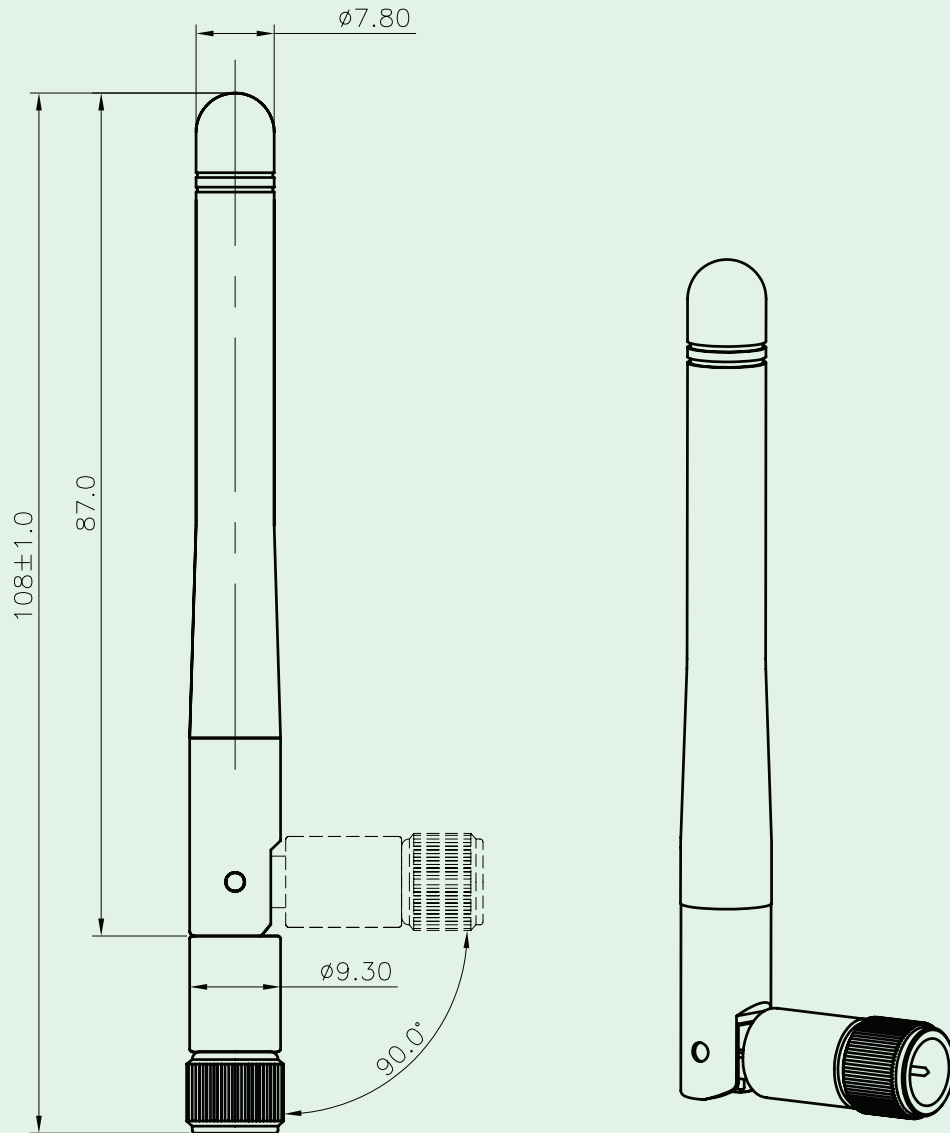
Series No.

6602219081



5.8GHz High Gain Swivel Antenna

KINSUN



ELECTRICAL :

- Frequency Range : 5.8GHz
- Impedance : 50 Ω
- V.S.W.R. : ≤ 2.0
- Gain : 4dBi
- Radiation : Omni
- Electrical Wave : $1/4\lambda$
- Polarization : Vertical

MECHANICAL :

- Antenna Cover : PU
- Antenna Base : PC UL 94V-0
- Color : Black
- Operating Temperature : -20 $^{\circ}\text{C}$ ~ +65 $^{\circ}\text{C}$
- Storage Temperature : -30 $^{\circ}\text{C}$ ~ +75 $^{\circ}\text{C}$
- Cable : RG-178
- Connector : SMA Male

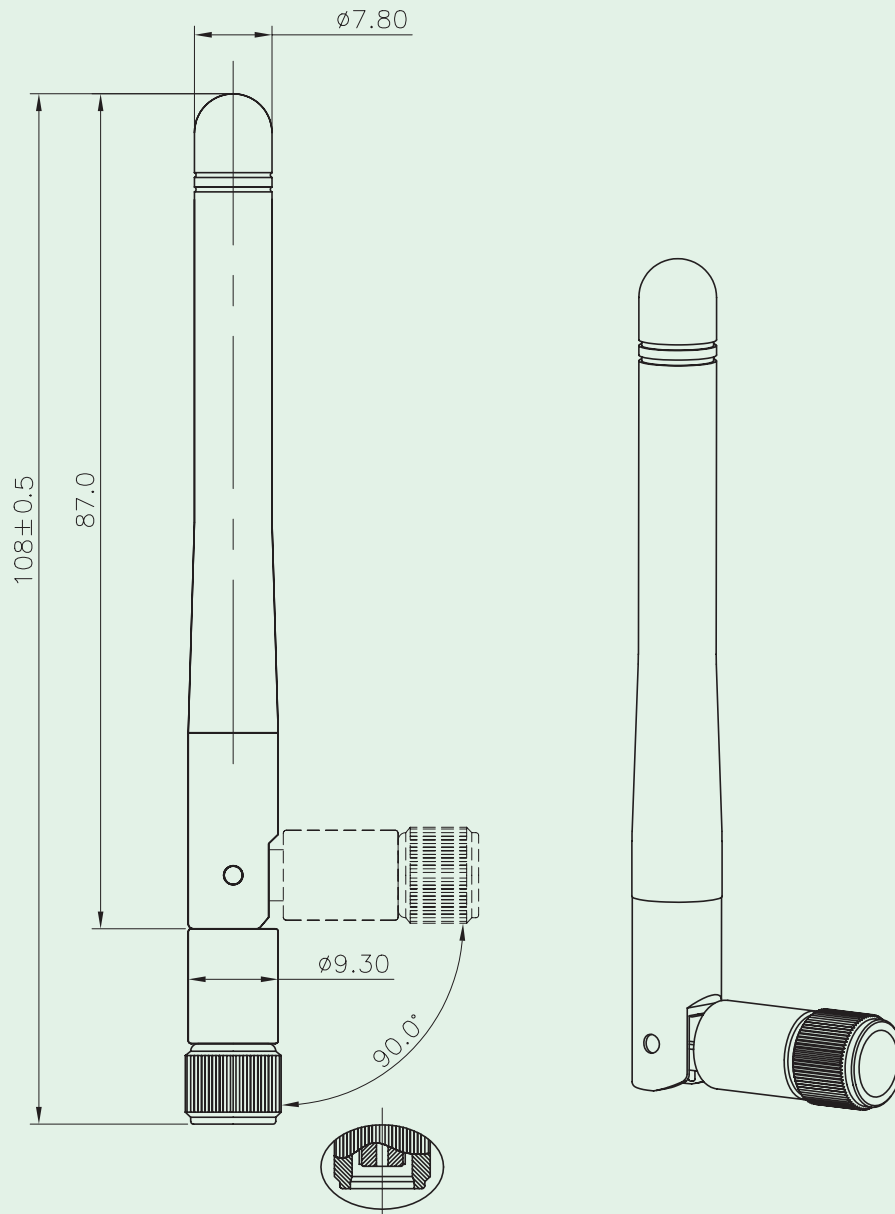
Series No.

6602201081



2.4/5.8 GHz Dual Band Antenna

KINSUN



ELECTRICAL :

- Frequency Range : 2.4~5.8GHz
- Impedance : 50Ω
- V.S.W.R. : ≤ 2.0
- Gain : 2.4GHz 2dBi
5.8GHz 3dBi
- Radiation : Omni
- Electrical Wave : $1/4\lambda$, Dipole
- Polarization : Vertical

MECHANICAL :

- Antenna Cover : Plastic
- Antenna Base : Plastic
- Color : Black
- Operating Temperature : $-20^{\circ}\text{C} \sim +65^{\circ}\text{C}$
- Storage Temperature : $-30^{\circ}\text{C} \sim +75^{\circ}\text{C}$
- Connector : SMA Male Reverse

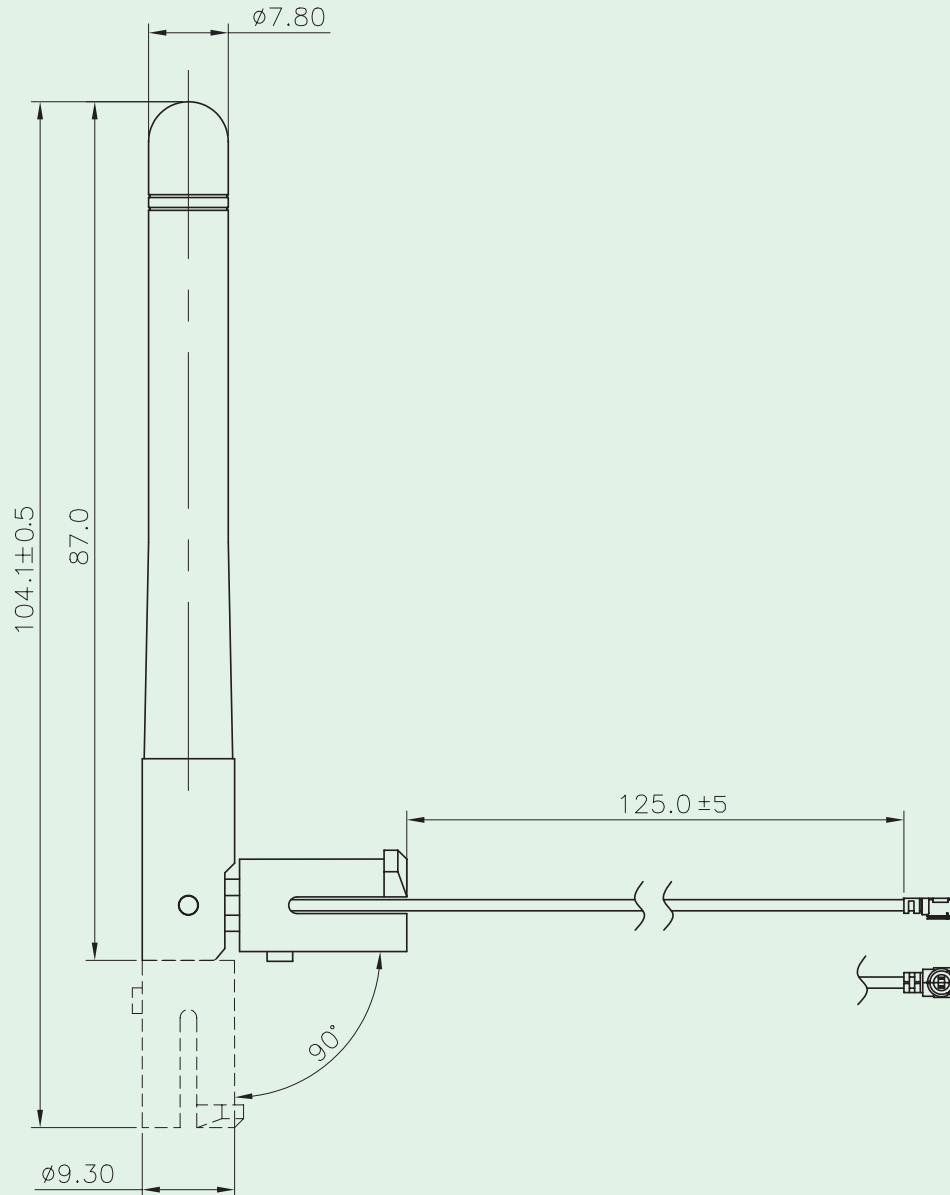
Series No.

6602303081-000



2.4/5.8 GHz Dual Band Antenna With Cable

KINSUN



ELECTRICAL :

- Frequency Range : 2.4~5.8GHz
- Impedance : 50Ω
- V.S.W.R. : ≤ 2.0
- Gain : 2.4GHz 1.5dBi
5.8GHz 2.5dBi
- Radiation : Omni
- Electrical Wave : $1/4\lambda$, Dipole
- Polarization : Vertical

MECHANICAL :

- Antenna Cover : Plastic
- Antenna Base : Plastic
- Color : Black
- Operating Temperature : $-20^{\circ}\text{C} \sim +65^{\circ}\text{C}$
- Storage Temperature : $-30^{\circ}\text{C} \sim +75^{\circ}\text{C}$
- Cable : $\phi 1.13\text{mm}$
- Connector : U.FL

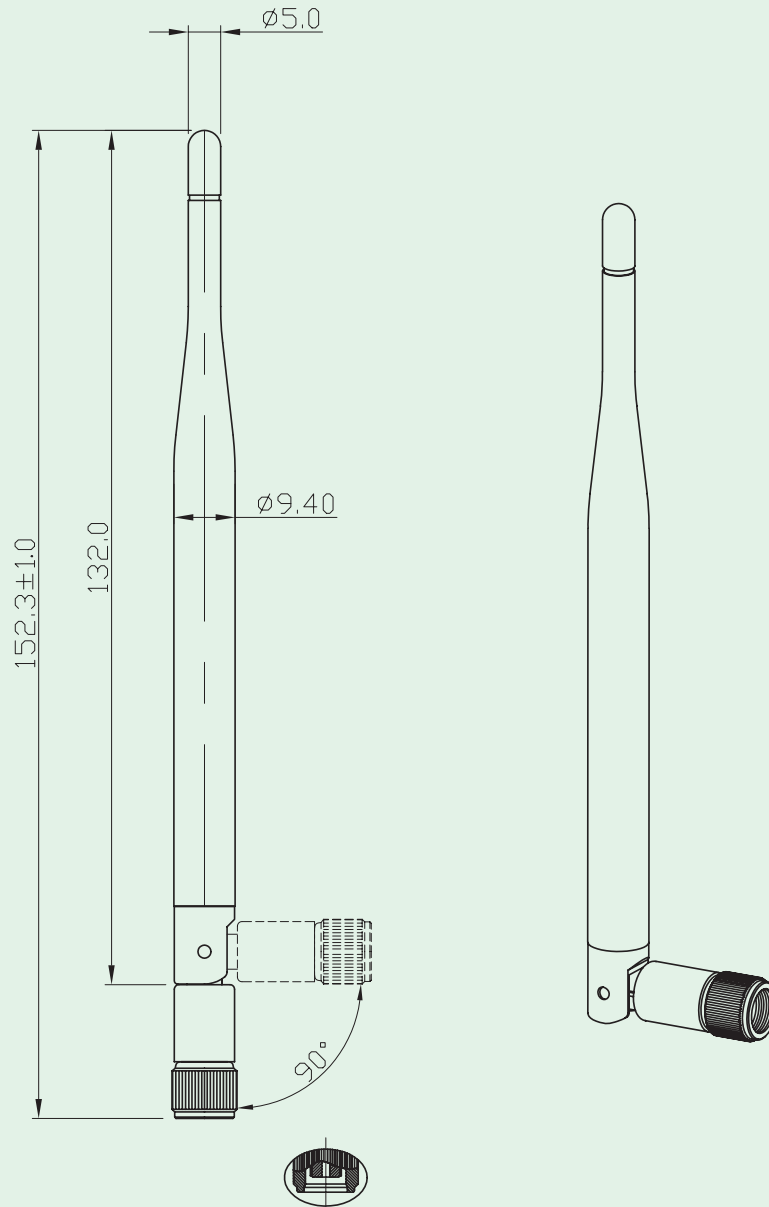
Series No.

6602313031-125



2.4/5.8 GHz Dual Band Antenna

KINSUN



ELECTRICAL :

- Frequency Range : 2.4~5.8GHz
- Impedance : 50Ω
- V.S.W.R. : ≤ 2.0
- Gain : 2.4GHz 2dBi
5.8GHz 3dBi
- Radiation : Omni
- Electrical Wave : $1/4\lambda$, Dipole
- Polarization : Vertical

MECHANICAL :

- Antenna Cover : Plastic
- Antenna Base : Plastic
- Color : Black
- Operating Temperature : $-20^{\circ}\text{C} \sim +65^{\circ}\text{C}$
- Storage Temperature : $-30^{\circ}\text{C} \sim +75^{\circ}\text{C}$
- Connector : SMA Male Reverse

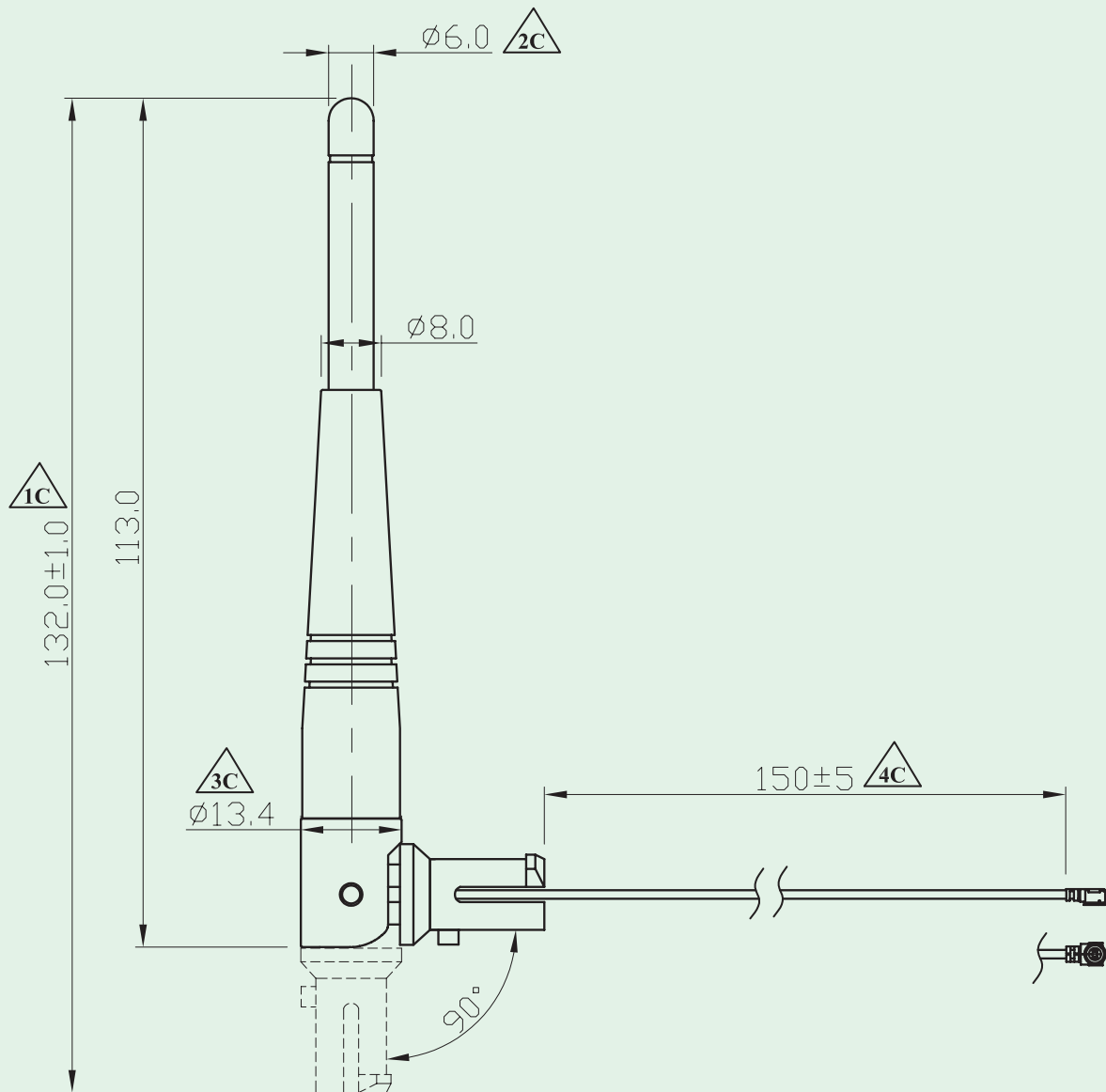
Series No.

6603 Series



2.4/5.8 GHz Dual Band Antenna With Cable

KINSUN



ELECTRICAL :

- Frequency Range : 2.4~5.8GHz
- Impedance : 50Ω
- V.S.W.R. : ≤2.0
- Gain : 2.4GHz 1.5dBi
5.8GHz 2.5dBi
- Radiation : Omni
- Electrical Wave : 1/4λ, Dipole
- Polarization : Vertical

MECHANICAL :

- Antenna Cover : Plastic
- Antenna Base : Plastic
- Color : Black
- Operating Temperature : -20°C ~ +65°C
- Storage Temperature : -30°C ~ +75°C
- Cable : φ1.13mm
- Connector : U.FL

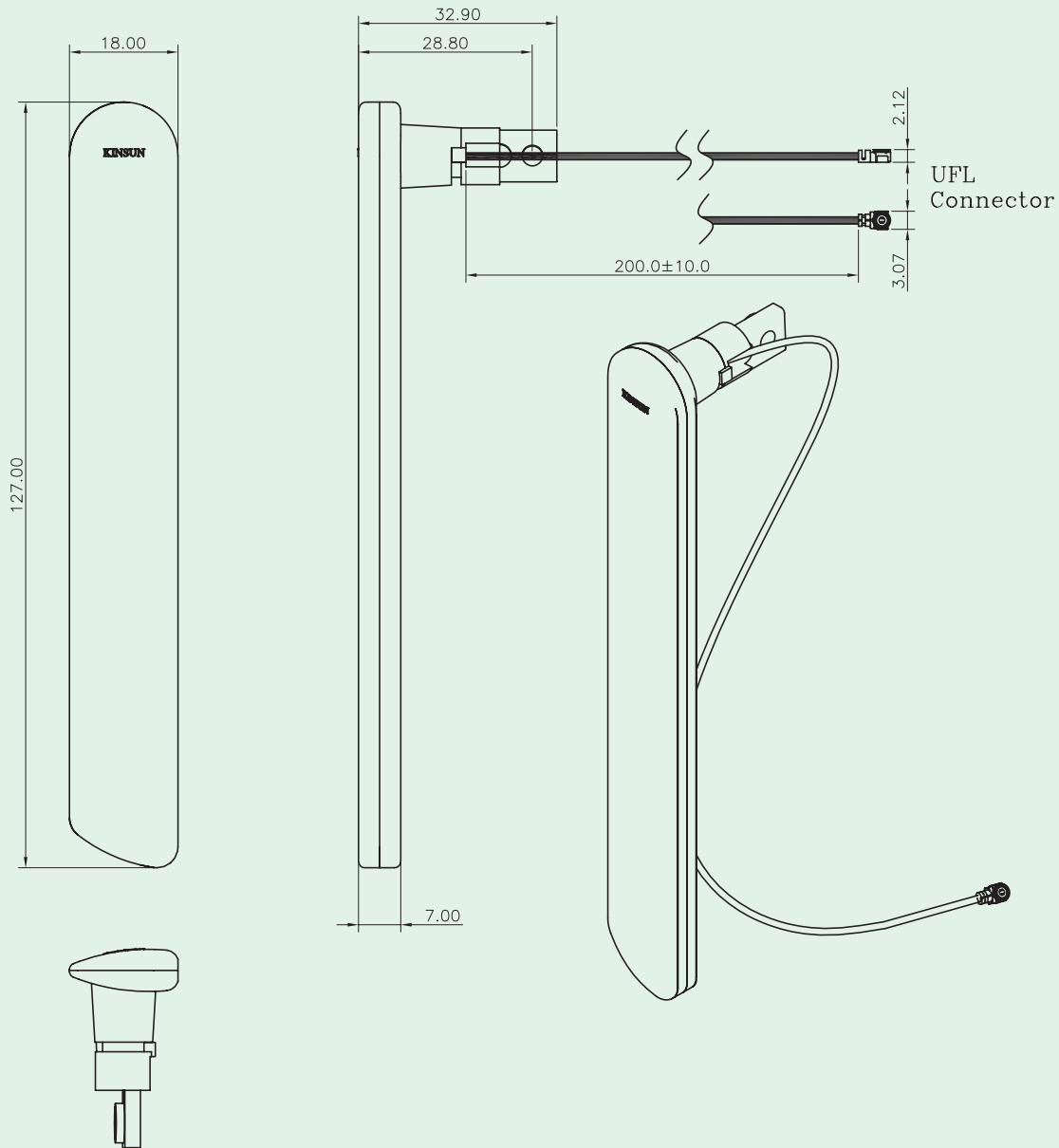
Series No.

6604313035-150



2.4/5.8 GHz Dual Band Antenna With Cable

KINSUN



ELECTRICAL :

- Frequency Range : 2.4~5.8GHz
- Impedance : 50Ω
- V.S.W.R. : ≤ 2.0
- Gain : 2.4GHz 2dBi
5.8GHz 3dBi
- Radiation : Omni
- Polarization : Vertical

MECHANICAL :

- Antenna Cover : ABS
- Color : Black
- Operating Temperature : -20°C ~ +65°C
- Storage Temperature : -30°C ~ +75°C
- Cable : $\phi 1.13\text{mm}$
- Connector : U.FL

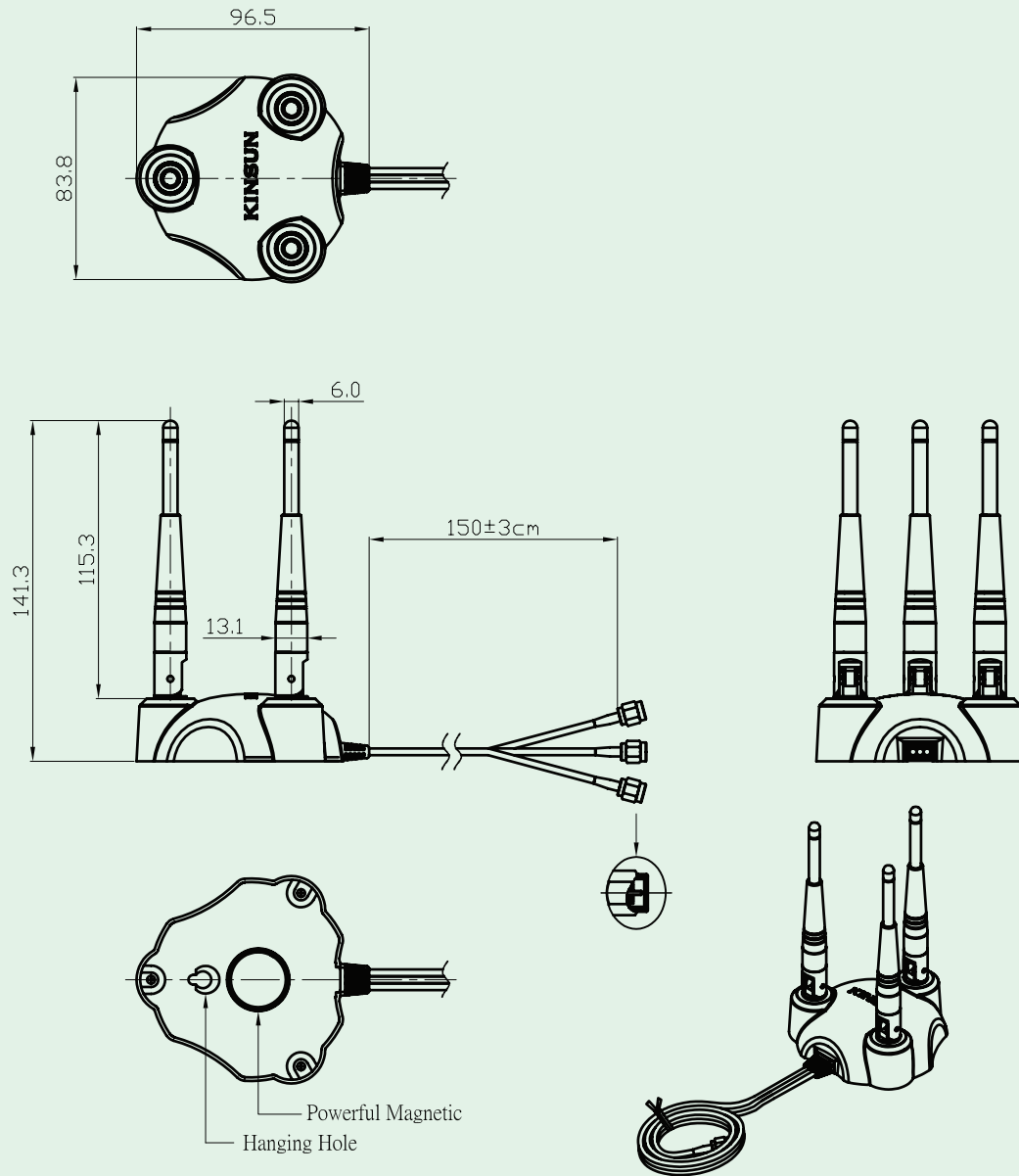
Series No.

6620 Series



Mimo Antenna With Magnetic

KINSUN



ELECTRICAL :

- Frequency Range : 2.4GHz
- Impedance : 50Ω
- V.S.W.R. : ≤ 1.5
- Gain : 2.0dBi
- Radiation : Omni
- Electrical Wave : $1/4\lambda$
- Polarization : Vertical

MECHANICAL :

- Antenna Cover : PU
- Antenna Base : ABS+PC
- Color : Black
- Operating Temperature : $-20^{\circ}\text{C} \sim +65^{\circ}\text{C}$
- Storage Temperature : $-30^{\circ}\text{C} \sim +75^{\circ}\text{C}$
- Cable : RG-174
- Connector : SMA Male

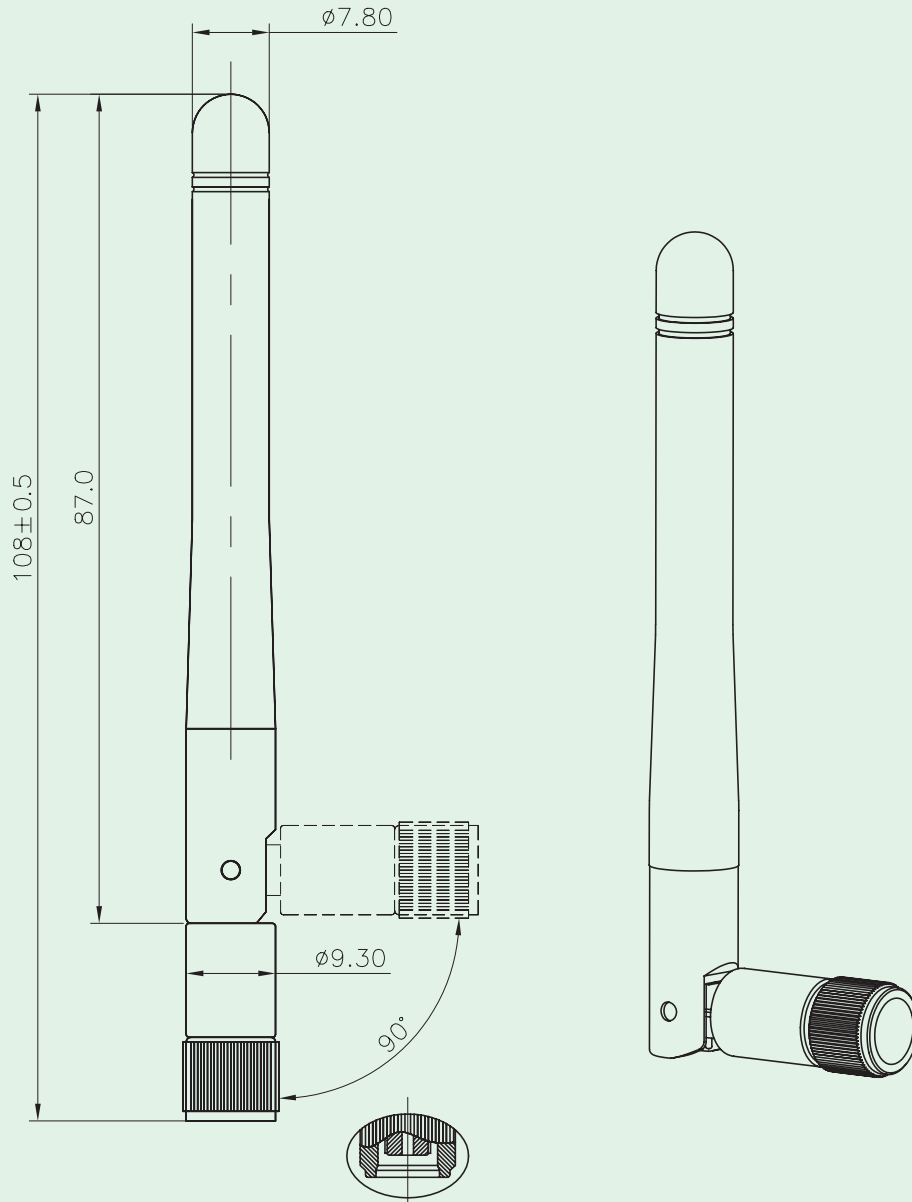
Series No.

6680101111-15M



Five Band GSM Antenna

KINSUN



ELECTRICAL :

- Frequency Range : 800 & 900 & 1800 & 1900 & 2100MHz
- Impedance : 50Ω
- V.S.W.R. : ≤ 2.0
- Radiation : Omni
- Electrical Wave : $1/2\lambda$, Dipole
- Polarization : Vertical

MECHANICAL :

- Antenna Cover : Plastic
- Antenna Base : Plastic
- Color : Black
- Operating Temperature : $-20^{\circ}\text{C} \sim +65^{\circ}\text{C}$
- Storage Temperature : $-30^{\circ}\text{C} \sim +75^{\circ}\text{C}$
- Cable : RG-178
- Connector : SMA Male Reverse

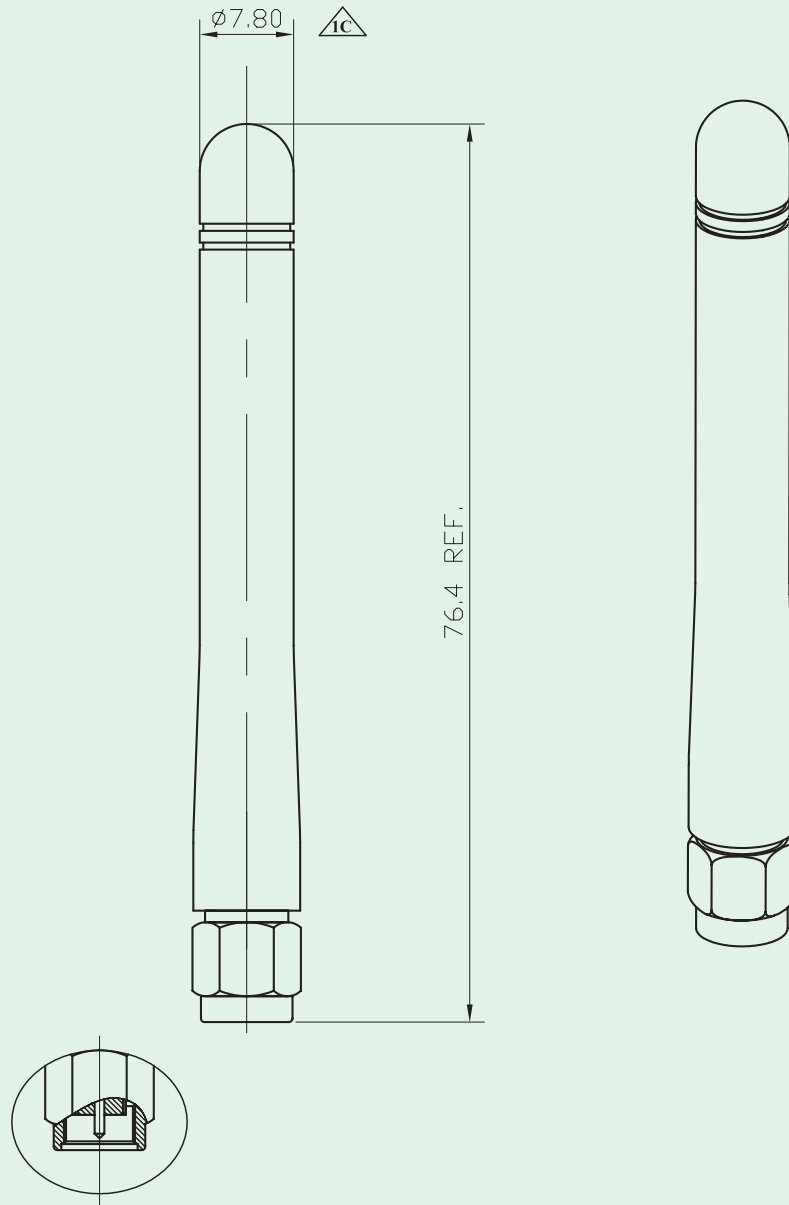
Series No.

6602 Series



Three Band GSM Antenna

KINSUN



ELECTRICAL :

- Frequency Range : 900 & 1800 & 1900 MHz
- Impedance : 50Ω
- V.S.W.R. : ≤ 2.0
- Radiation : Omni
- Polarization : Vertical

MECHANICAL :

- Antenna Cover : Plastic
- Color : Black
- Operating Temperature : -20°C ~ +65°C
- Storage Temperature : -30°C ~ +75°C
- Connector : SMA Male

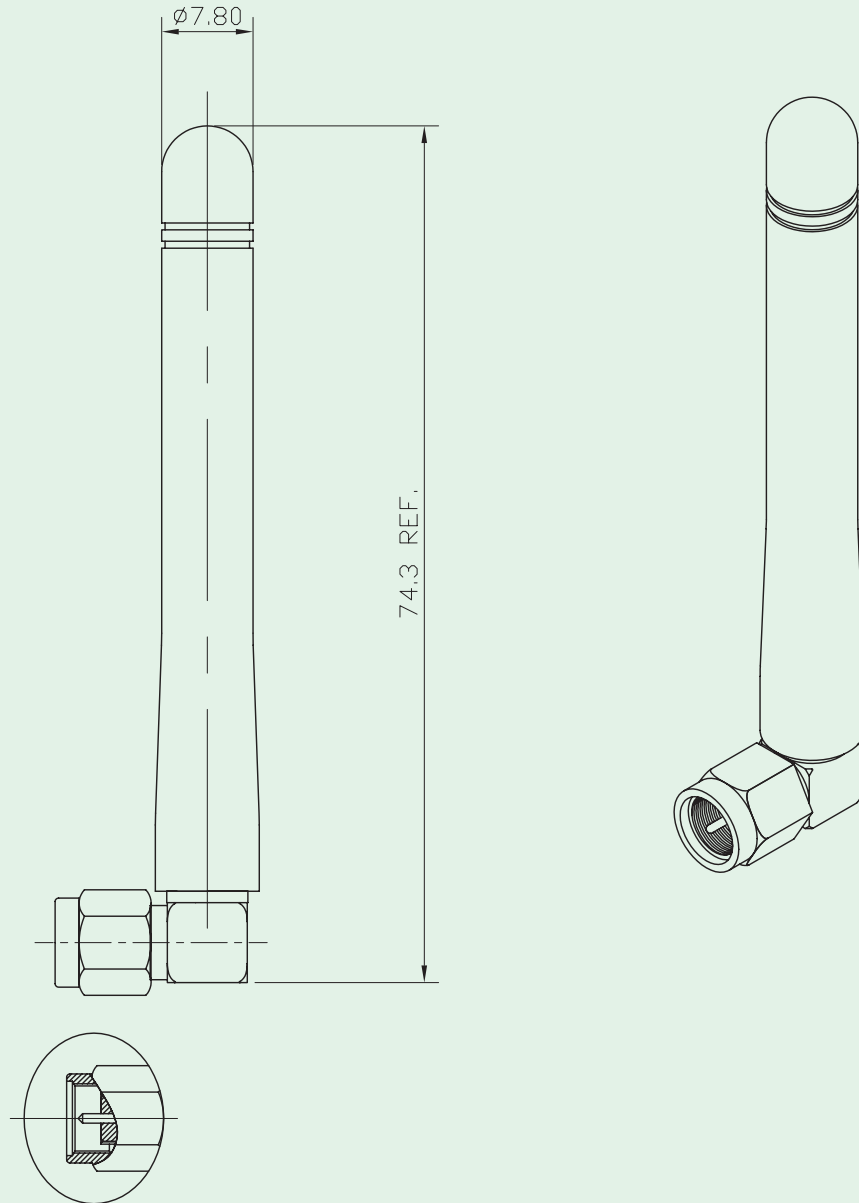
Series No.

6602601011-000



Three Band GSM Right Angle Antenna

KINSUN



ELECTRICAL :

- Frequency Range : 900 & 1800 & 1900 MHz
- Impedance : 50Ω
- V.S.W.R. : ≤ 2.0
- Radiation : Omni
- Polarization : Vertical

MECHANICAL :

- Antenna Cover : Plastic
- Color : Black
- Operating Temperature : -20°C ~ +65°C
- Storage Temperature : -30°C ~ +75°C
- Connector : SMA Male

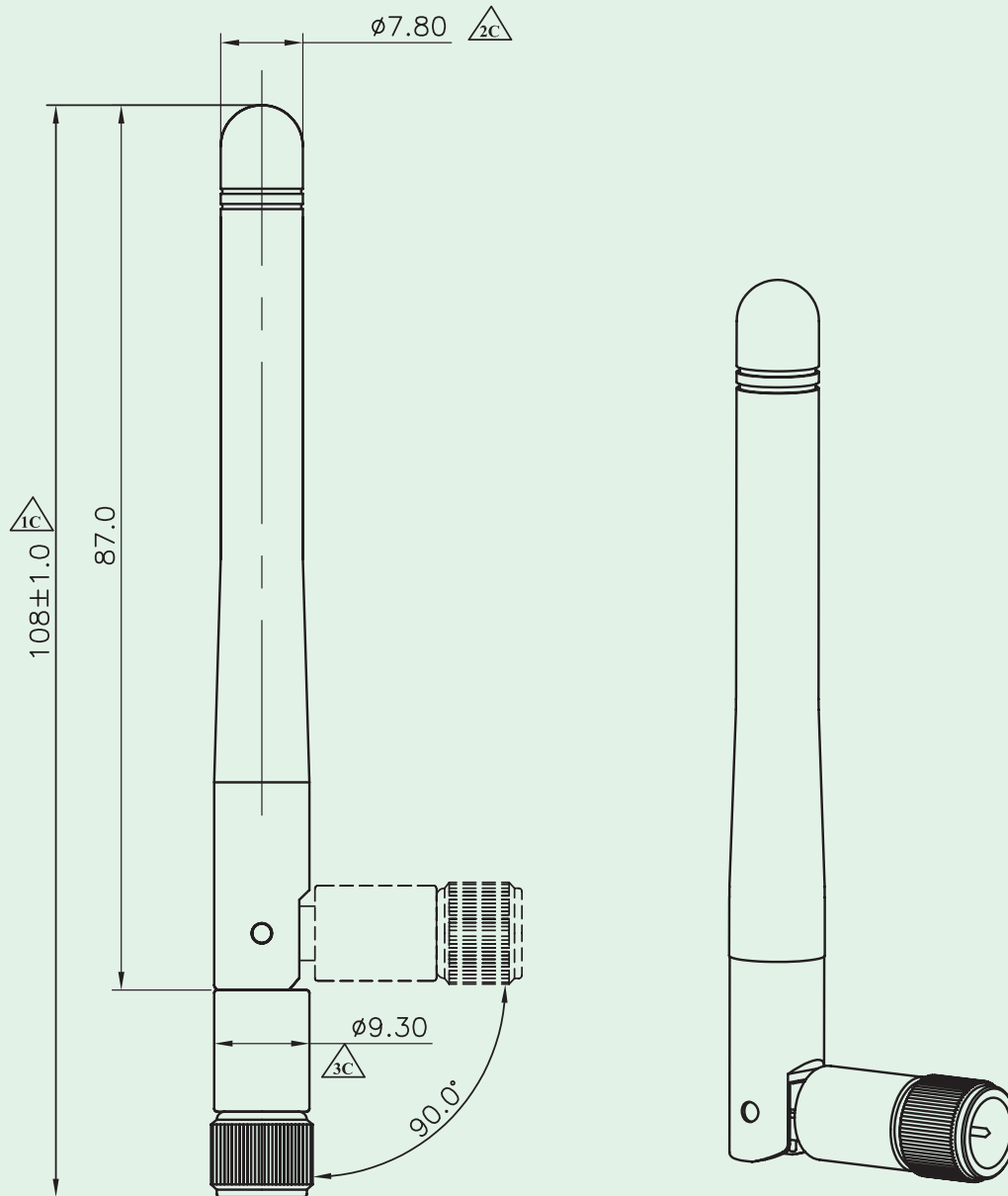
Series No.

6602602011-000



Three Band GSM Swivel Antenna

KINSUN



ELECTRICAL :

- Frequency Range : 900 & 1800 & 1900 MHz
- Impedance : 50 Ω
- V.S.W.R. : ≤ 2.0
- Radiation : Omni
- Polarization : Vertical

MECHANICAL :

- Antenna Cover : Plastic
- Antenna Base : PC UL 94V-0
- Color : Black
- Operating Temperature : -20 $^{\circ}$ C ~ +65 $^{\circ}$ C
- Storage Temperature : -30 $^{\circ}$ C ~ +75 $^{\circ}$ C
- Connector : SMA Male

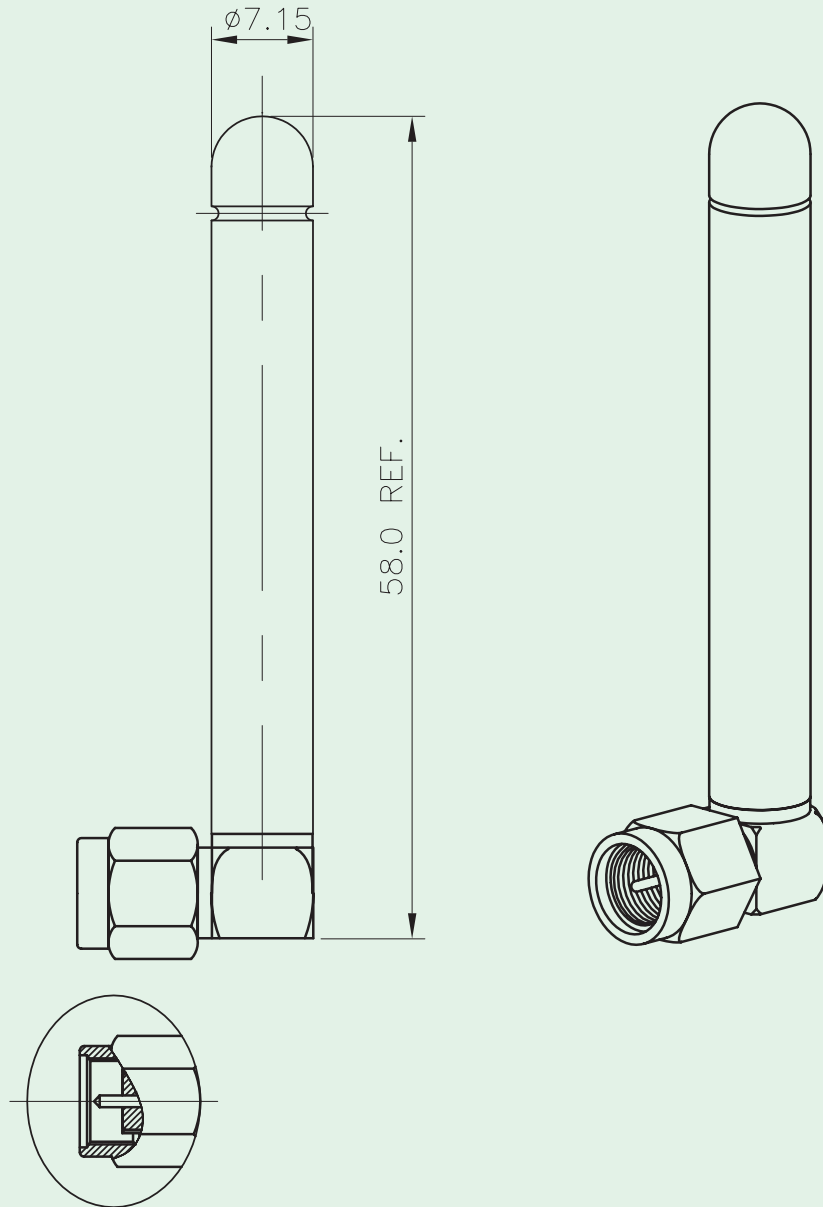
Series No.

6602601081



Three Band GSM Right Angle Antenna

KINSUN



ELECTRICAL :

- Frequency Range : 900 & 1800 & 1900 MHz
- Impedance : 50Ω
- V.S.W.R. : ≤ 2.0
- Radiation : Omni
- Polarization : Vertical

MECHANICAL :

- Antenna Cover : Plastic
- Color : Black
- Operating Temperature : -20°C ~ +65°C
- Storage Temperature : -30°C ~ +75°C
- Connector : SMA Male

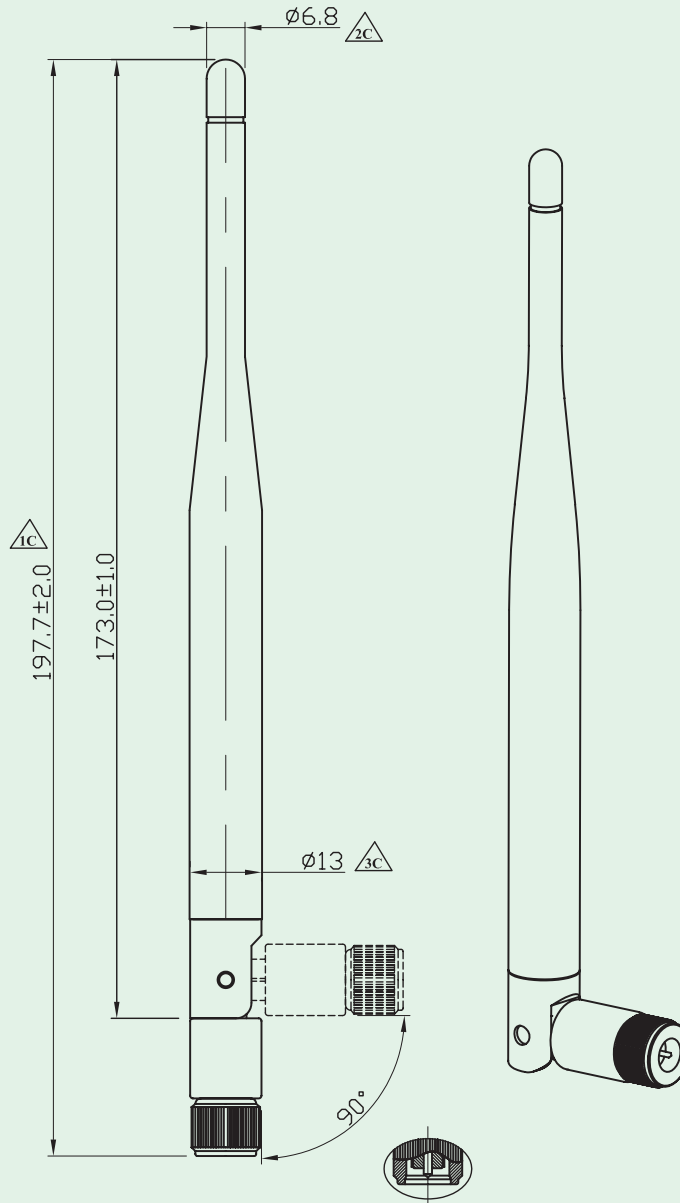
Series No.

6605602161



Three Band GSM Swivel Antenna

KINSUN



ELECTRICAL :

- Frequency Range : 900 & 1800 & 1900 MHz
- Impedance : 50Ω
- V.S.W.R. : ≤ 2.0
- Radiation : Omni
- Polarization : Vertical

MECHANICAL :

- Antenna Cover : Plastic
- Antenna Base : Plastic
- Color : Black
- Operating Temperature : -20°C ~ +65°C
- Storage Temperature : -30°C ~ +75°C
- Connector : SMA Male

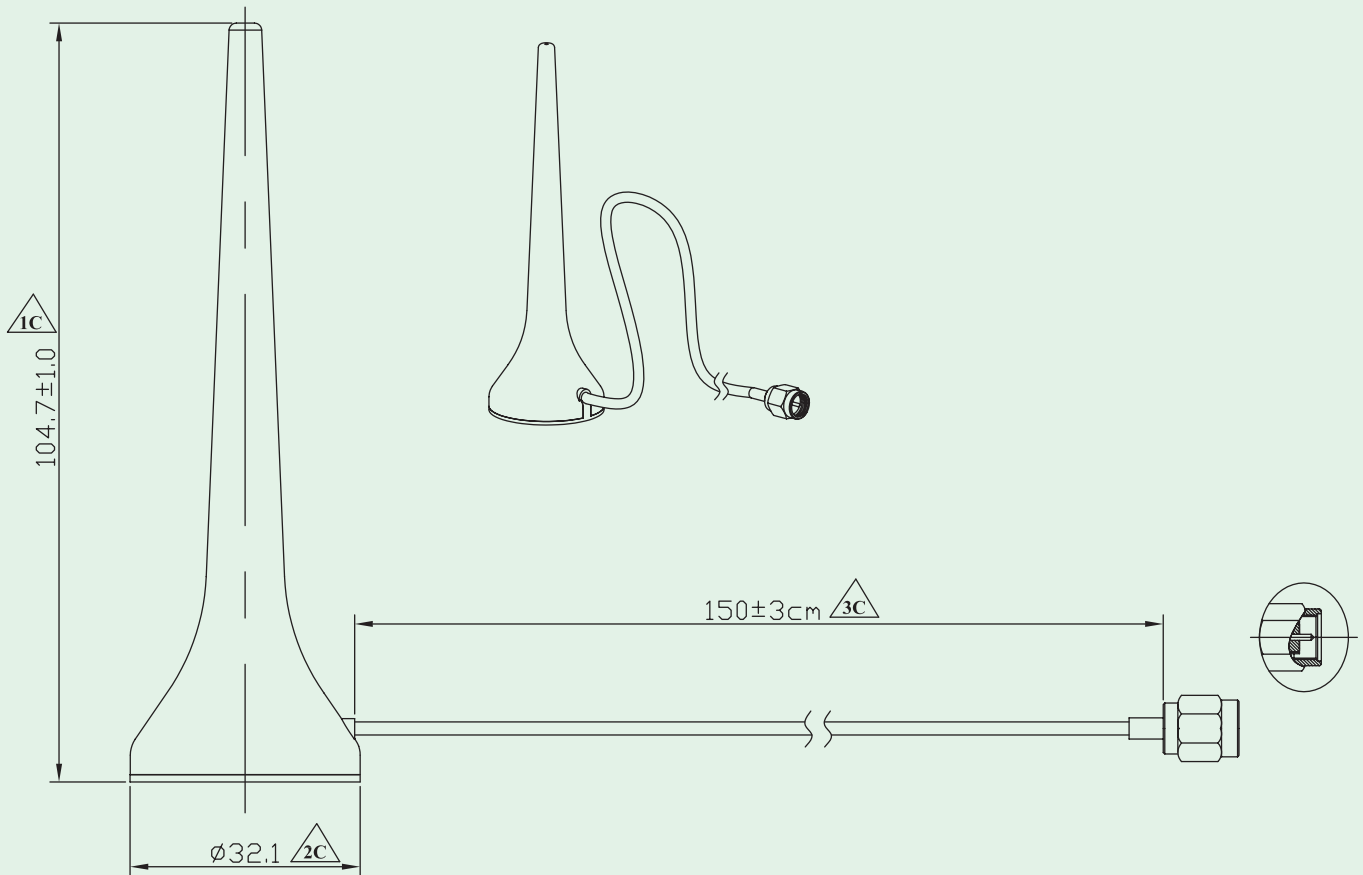
Series No.

6610601081



Three Band GSM Magnetic Antenna

KINSUN



ELECTRICAL :

- Frequency Range : 900 & 1800 & 1900 MHz
- Impedance : 50Ω
- V.S.W.R. : ≤ 2.0
- Radiation : Omni
- Polarization : Vertical

MECHANICAL :

- Antenna Cover : Plastic
- Color : Black
- Operating Temperature : -20°C ~ +65°C
- Storage Temperature : -30°C ~ +75°C
- Cable : RG-174
- Connector : SMA Male

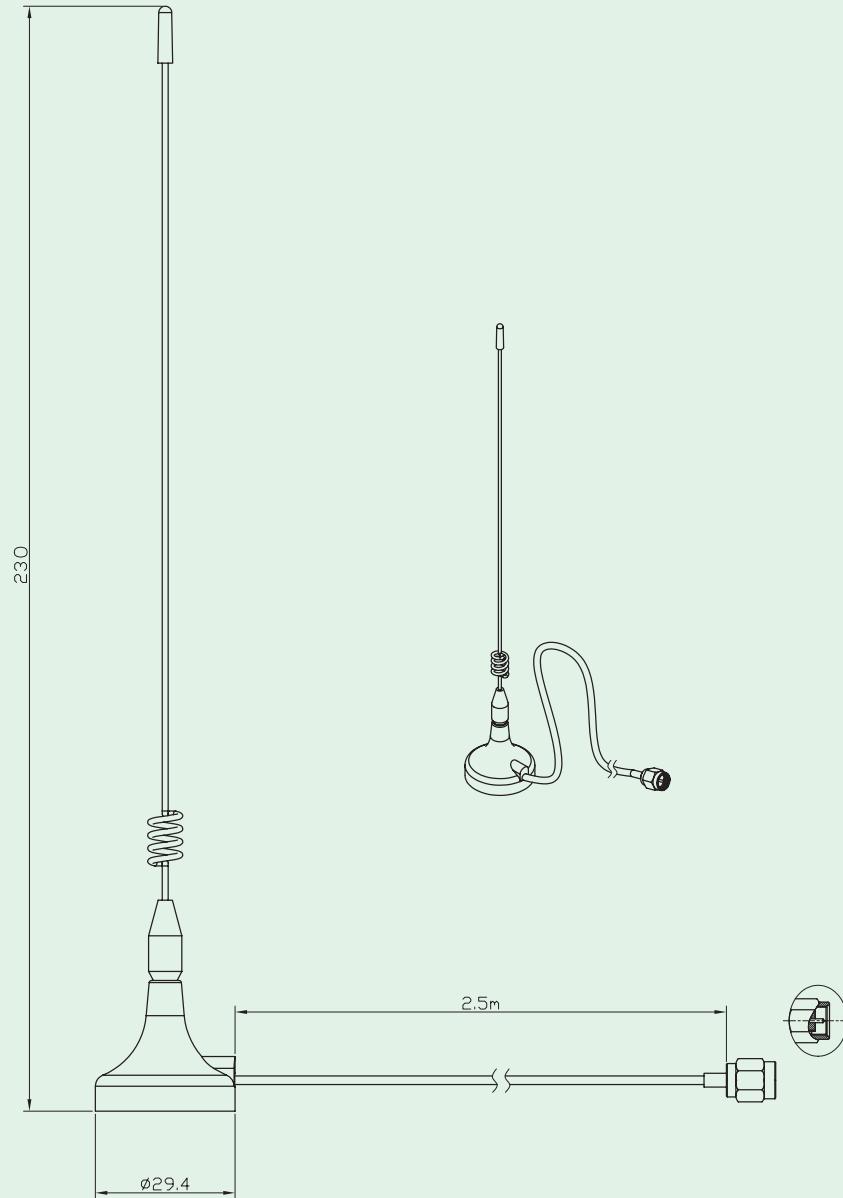
Series No.

6640601041-15M



Three Band GSM Magnetic Antenna

KINSUN



ELECTRICAL :

- Frequency Range : 900 & 1800 & 1900 MHz
- Impedance : 50Ω
- V.S.W.R. : ≤ 2.0
- Radiation : Omni
- Polarization : Vertical

MECHANICAL :

- Antenna Body : Steel
- Antenna Base : Plastic
- Color : Black
- Operating Temperature : $-20^{\circ}\text{C} \sim +65^{\circ}\text{C}$
- Storage Temperature : $-30^{\circ}\text{C} \sim +75^{\circ}\text{C}$
- Cable : RG-174
- Connector : SMA Male

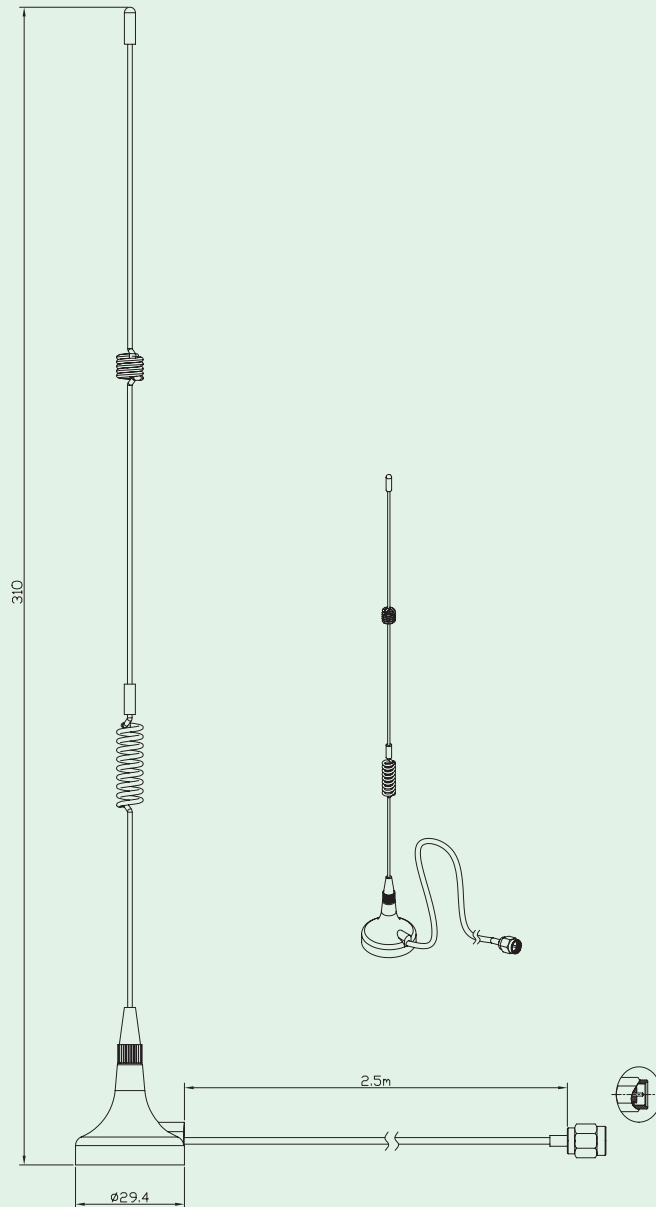
Series No.

6650101010-25M



Three Band GSM Magnetic Antenna

KINSUN



ELECTRICAL :

- Frequency Range : 900 & 1800 & 1900 MHz
- Impedance : 50Ω
- V.S.W.R. : ≤ 2.0
- Radiation : Omni
- Polarization : Vertical

MECHANICAL :

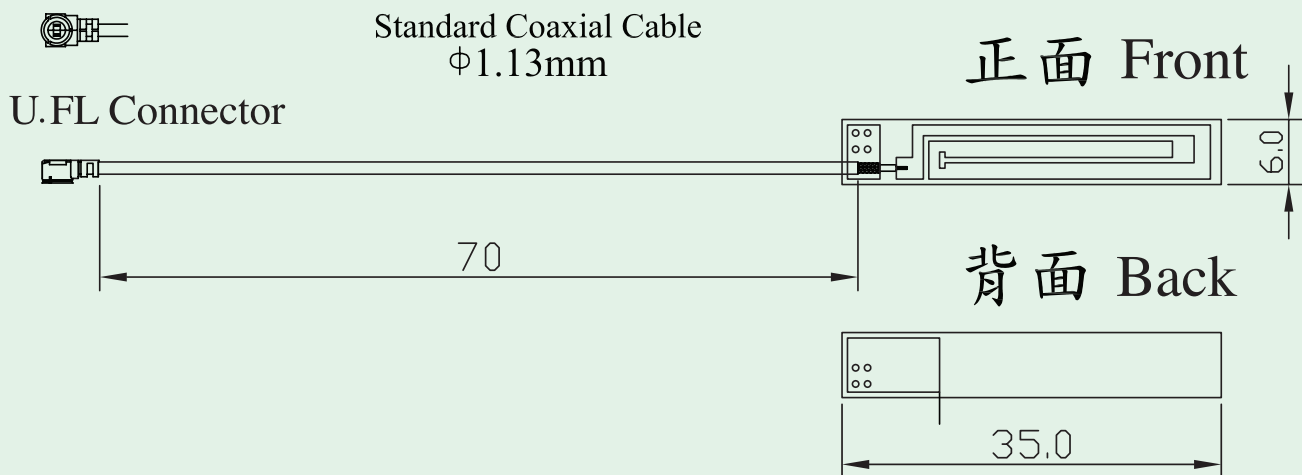
- Antenna Body : Steel
- Antenna Base : Plastic
- Color : Black
- Operating Temperature : -20°C ~ +65°C
- Storage Temperature : -30°C ~ +75°C
- Cable : RG-174
- Connector : SMA Male

Series No.

6650101020-25M



FR-4 -0.4mm



ELECTRICAL :

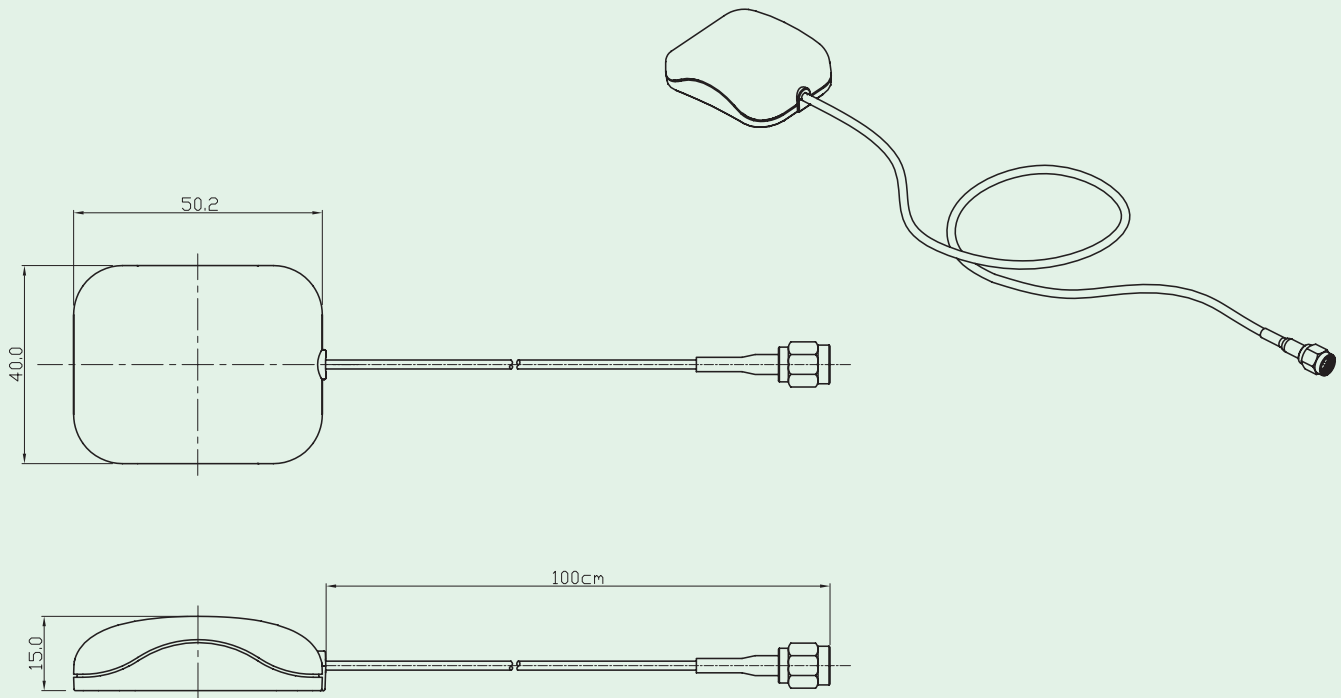
- Frequency Range : 900 & 1800 & 1900 MHz
- Impedance : 50Ω
- V.S.W.R. : ≤ 2.0
- Radiation : Omni
- Polarization : Vertical

MECHANICAL :

- Material : FR-4 PCB
- Color : Black
- Operating Temperature : $-20^{\circ}\text{C} \sim +65^{\circ}\text{C}$
- Storage Temperature : $-30^{\circ}\text{C} \sim +75^{\circ}\text{C}$
- Cable : $\phi 1.13\text{mm}$
- Connector : U.FL

Series No.

6671B130300-070



ELECTRICAL :

- Frequency Range : 1575MHz
- Impedance : 50Ω
- V.S.W.R. : ≤ 2.0
- Gain : 30dBi
- Radiation : Omni
- Polarization : Vertical

MECHANICAL :

- Antenna Cover : Plastic
- Color : Black
- Operating Temperature : -20°C ~ +65°C
- Storage Temperature : -30°C ~ +75°C
- Cable : RG-174
- Connector : SMA Male

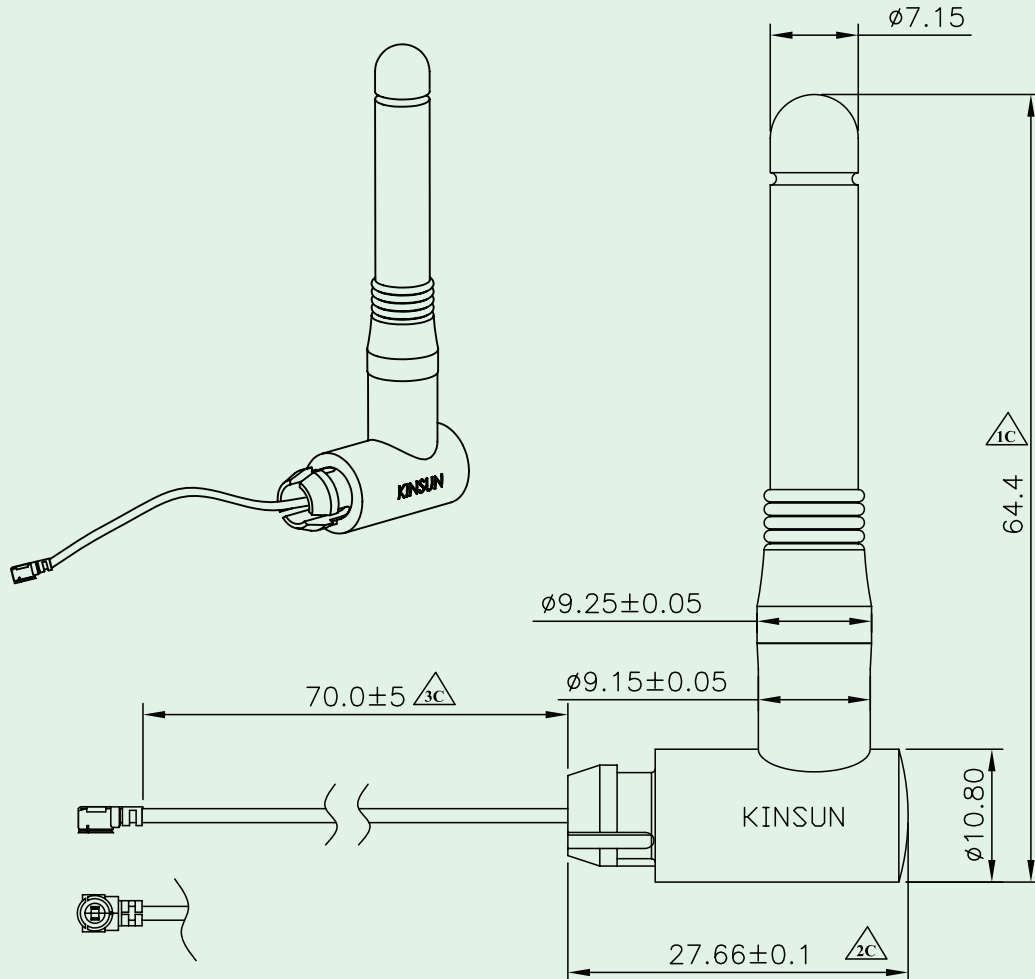
Series No.

6690101041-10M



Ultra-Wideband Right Angle Shorter Antenna With Cable

KINSUN



ELECTRICAL :

- Frequency Range : 3~5GHz
- Impedance : 50 Ω
- V.S.W.R. : ≤ 2.5
- Gain : -1~-2.0dBi
- Radiation : Omni
- Electrical Wave : $1/4\lambda$, Dipole
- Polarization : Vertical

MECHANICAL :

- Antenna Cover : PU Plastic
- Antenna Base : NYLON Plastic
- Color : Black
- Operating Temperature : -20 $^{\circ}$ C ~ +65 $^{\circ}$ C
- Storage Temperature : -30 $^{\circ}$ C ~ +75 $^{\circ}$ C
- Cable : $\phi 1.13$ mm

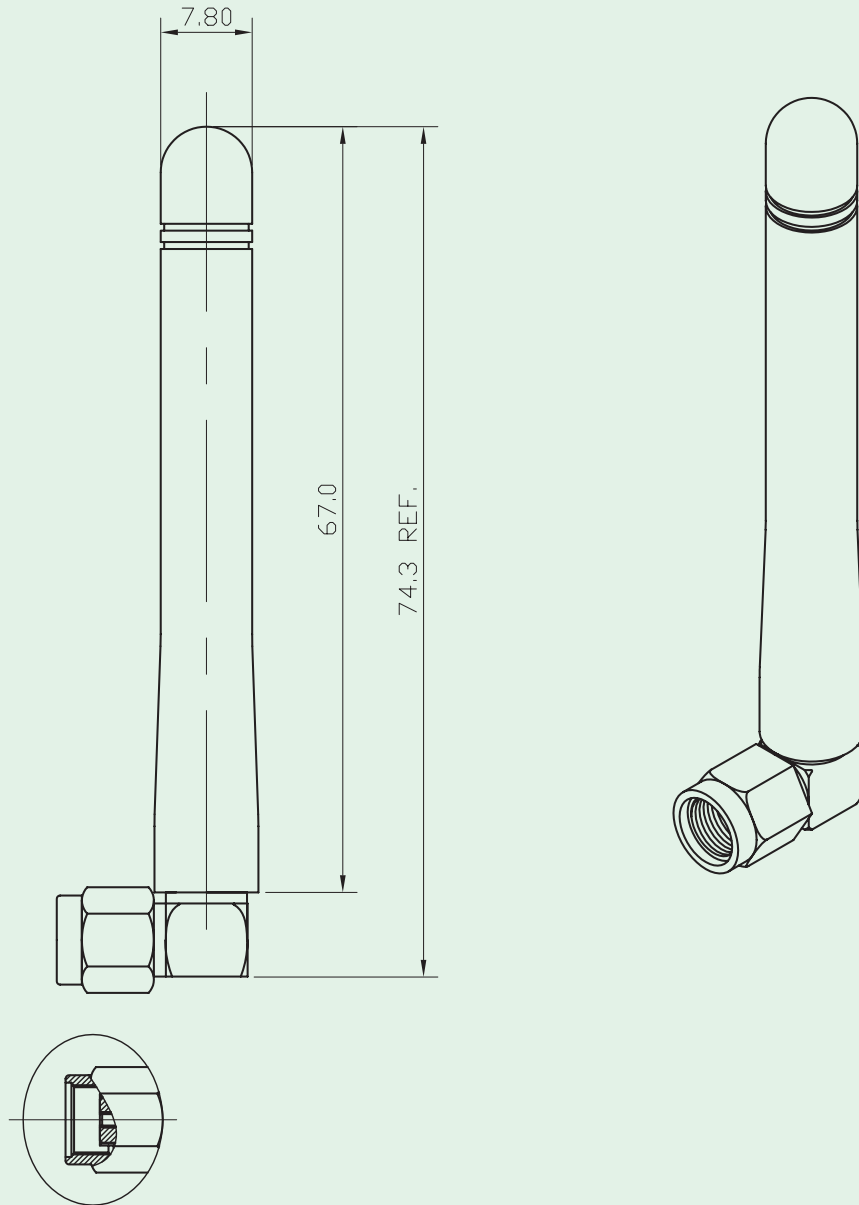
Series No.

6601U13311-070



Ultra-Wideband Antenna

KINSUN



ELECTRICAL :

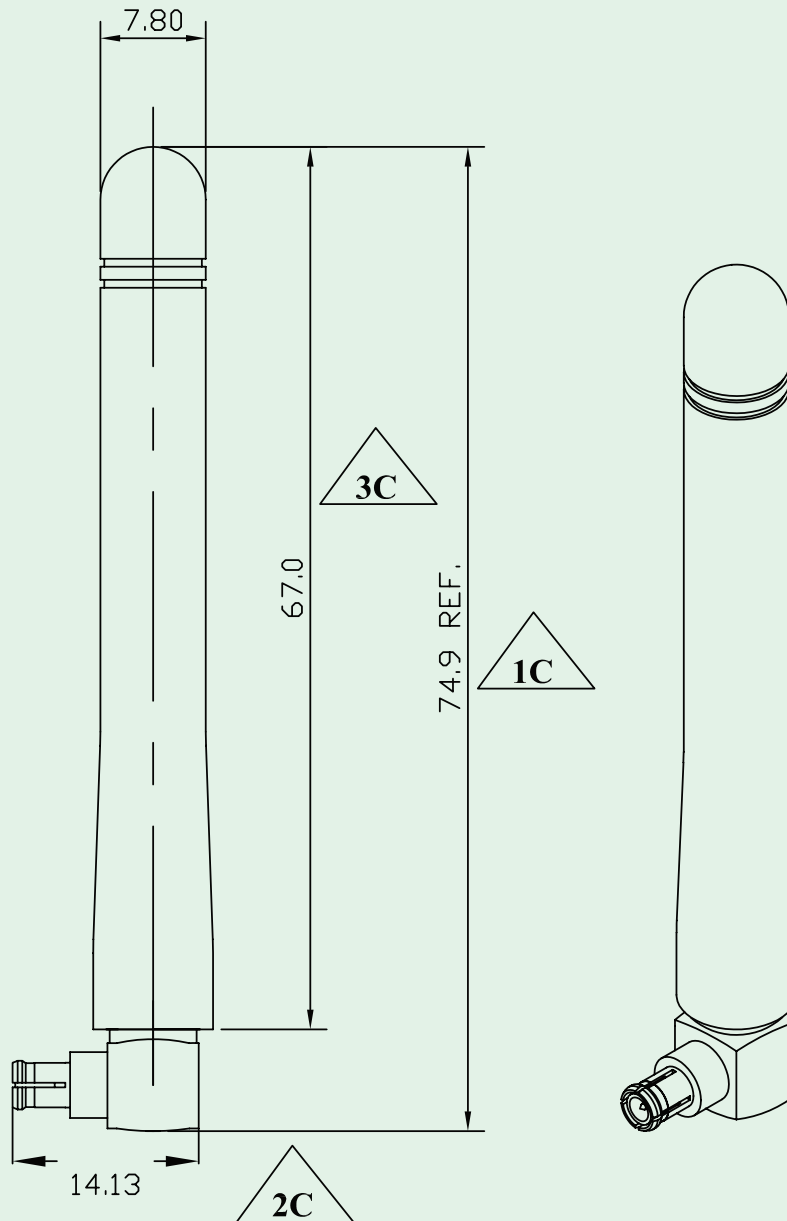
- Frequency Range : 3.3~5.3GHz
- Impedance : 50Ω
- V.S.W.R. : ≤ 2.0
- Radiation : Omni
- Polarization : Vertical

MECHANICAL :

- Antenna Cover : Plastic
- Color : Black
- Operating Temperature : -20°C ~ +65°C
- Storage Temperature : -30°C ~ +75°C
- Connector : SMA Male Reverse

Series No.

6602-UWB-SMA-1



ELECTRICAL :

- Frequency Range : 3~5GHz
- Impedance : 50Ω
- V.S.W.R. : ≤ 2.6
- Gain : 2~5 dBi
- Radiation : Omni
- Polarization : Vertical
- Electrical Wave : $1/2\lambda$, Monopole

MECHANICAL :

- Antenna Cover : PU Plastic
- Color : Black
- Operating Temperature : -20°C ~ +65°C
- Storage Temperature : -30°C ~ +75°C
- Connector : MCX

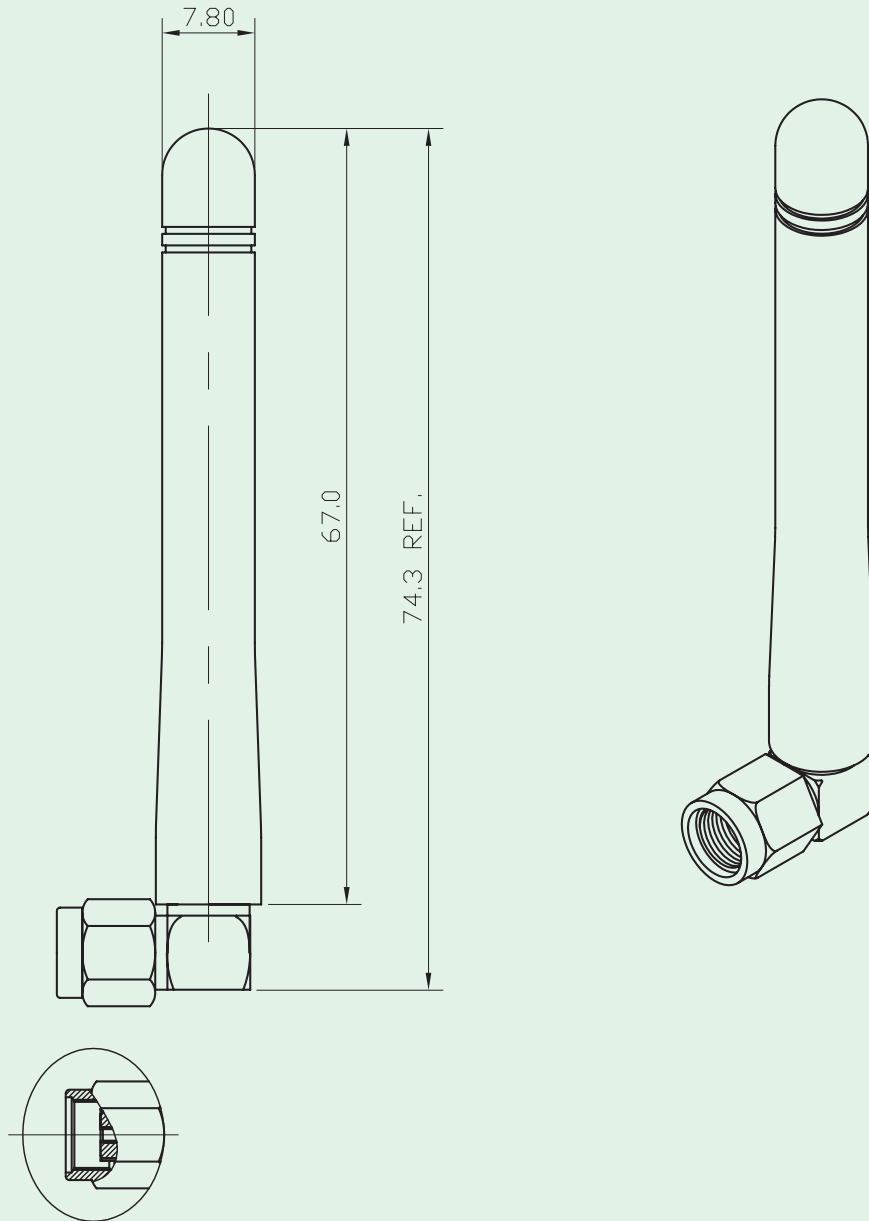
Series No.

6602U07081



Tri-Band Antenna

KINSUN



ELECTRICAL :

- Frequency Range : 2.4/3.5/5.8GHz
- Impedance : 50Ω
- V.S.W.R. : ≤ 2.0
- Radiation : Omni
- Polarization : Vertical

MECHANICAL :

- Antenna Cover : Plastic
- Color : Black
- Operating Temperature : -20°C ~ +65°C
- Storage Temperature : -30°C ~ +75°C
- Connector : SMA Male Reverse

Series No.

6602-UWB-SMA-2