

014686

## Wireless LAN Antennas - Parabolic Antennas - HGP-2450(2.4GHz) -

### 仕様

#### ◆Electrical Specifications

Item	Specification
Frequency Range	2.4 ~ 2.5GHz
Gain	18.5dBi
3dB BeamWidth	Azimuth: 12° Elevation : 14°
V.S.W.R(Max.)	Less than 1.5
Impedance	50 Ω(Normal)
Polarization	Linear
Power Input(max.)	50W

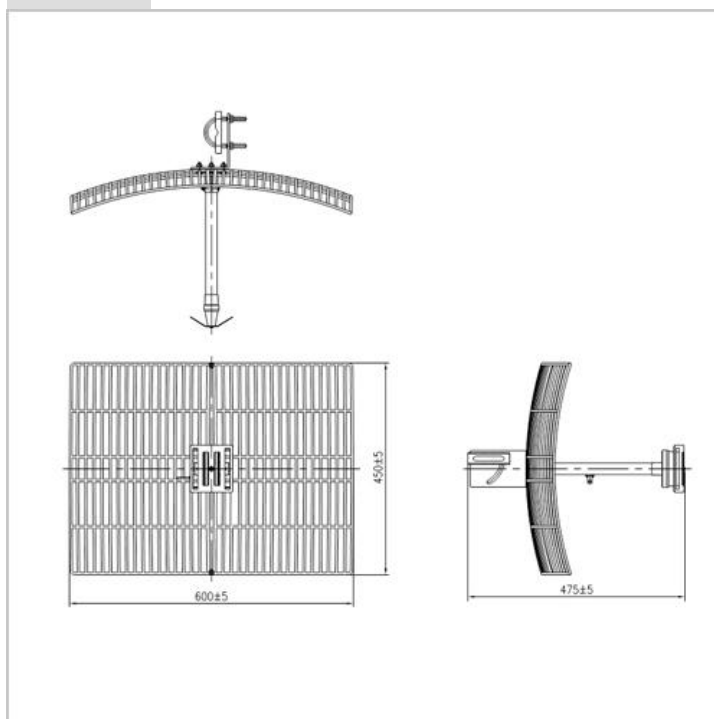
#### ◆Mechanical

Item	Specification
Dimensions	600(W)×450(H)×380(L) mm
Weight	2.1Kg
Connector Type	N-Type Female
Mount type	Pipe Mount(Dia. 30~60mm)
Operating Temperature	-30° ~ +60° C

### 製品写真



### 寸法図



014687

## Wireless LAN Antennas - Parabolic Antennas - HPA-060(2.4GHz) -

### 仕様

#### ◆ Electrical Specifications

Item	Specification
Frequency Range	2.4 ~ 2.5GHz
Gain	20.5dBi
3dB BeamWidth	12°
V.S.W.R(Max.)	Less than 1.5
Impedance	50 Ω (Nominal)
Polarization	Linear
Power Input(Max.)	50W

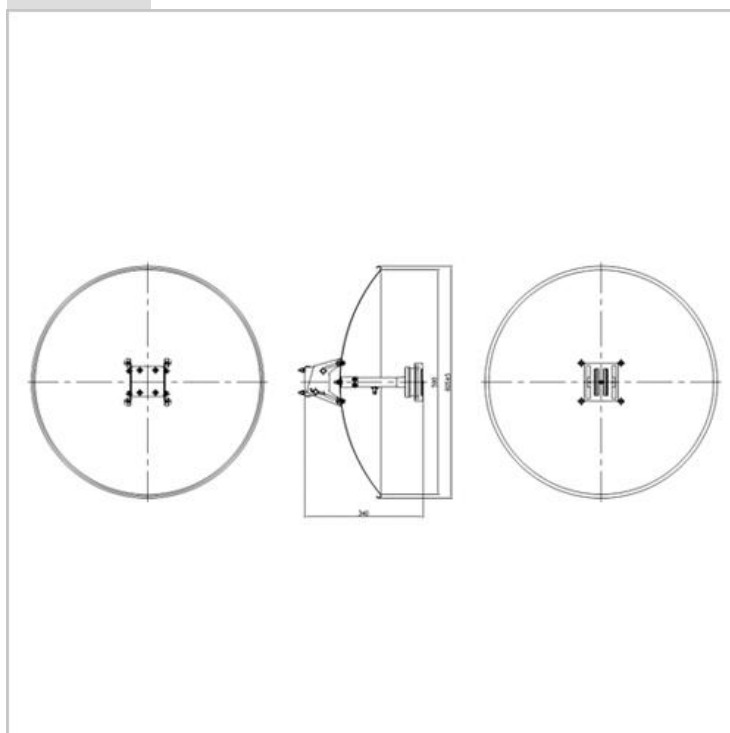
#### ◆ Mechanical

Item	Specification
Dimensions	Dia.620 mm, Length 340mm
Weight	3.8Kg
Connector Type	N-Type Female
Mount type	Pipe Mount(Dia. 30~70mm)
Operating Temperature	-30° ~ +60° C

### 製品写真



### 寸法図



014688

## Wireless LAN Antennas - Parabolic Antennas - HPA-060(5.7GHz) -

### 仕様

#### ◆ Electrical Specifications

Item	Specification
Frequency Range	5.7~5.85GHz
Gain	28.5dBi
3dB BeamWidth	6°
V.S.W.R(Max.)	Less than 1.5
Impedance	50 Ω(Nominal)
Polarization	Linear
Power Input(max.)	50W

#### ◆ Mechanical

Item	Specification
Dimensions	Dia620 mm, Length 390mm
Weight	3.8Kg
Connector Type	N-Type Female
Mount type	Pipe Mount(Dia. 30~70mm)
Operating Temperature	-30° ~ +60° C

### 製品写真



### 寸法図

